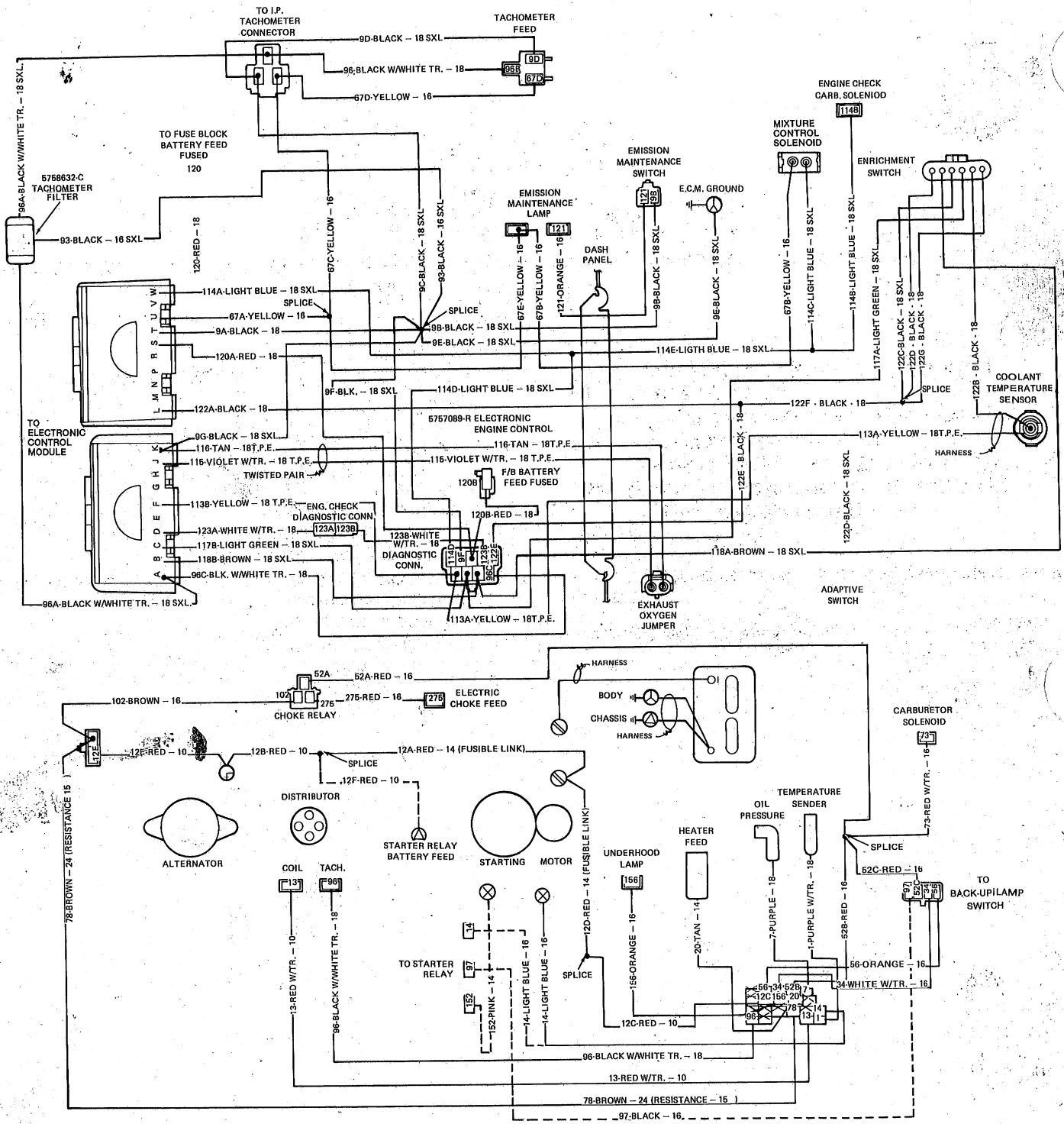


WIRING DIAGRAMS

		INDEX	
	Page		Page
Accessory Diagrams—CJ and Scrambler-Cherokee-Wagoneer-Truck Models	W-9	Wiring Diagram—8-Cylinder Engine—Cherokee-Wagoneer-Truck Models	W-5
Wiring Diagram—Engine Compartment—4-Cylinder Engine California—CJ and Scrambler Models	W-2	Wiring Diagram—Power Seat	W-8
Wiring Diagrams—Feedback System—6-Cylinder Engine—CJ and Scrambler-Cherokee-Wagoneer-Truck Models	W-7	Wiring Diagram—Radio Power AMP	W-4
Wiring Diagram—Six-Cylinder Engine—CJ and Scrambler	W-3	Wiring Diagram—Trailer Towing Package	W-6

NOTE: All reference to CJ vehicles also pertains to Scrambler vehicles.

W-2 WIRING DIAGRAMS



5757084-R 4 CYL. ENG. (AUTO. TRANS.)
 5768597-R 4 CYL. ENG. (MANUAL TRANS.)
 CIRCUIT SYMM. MANUAL TRANS. _____ AUTO. TRANS. - - - - -

WIRING DIAGRAM 4-CYLINDER ENGINE CALIFORNIA CJ MODELS

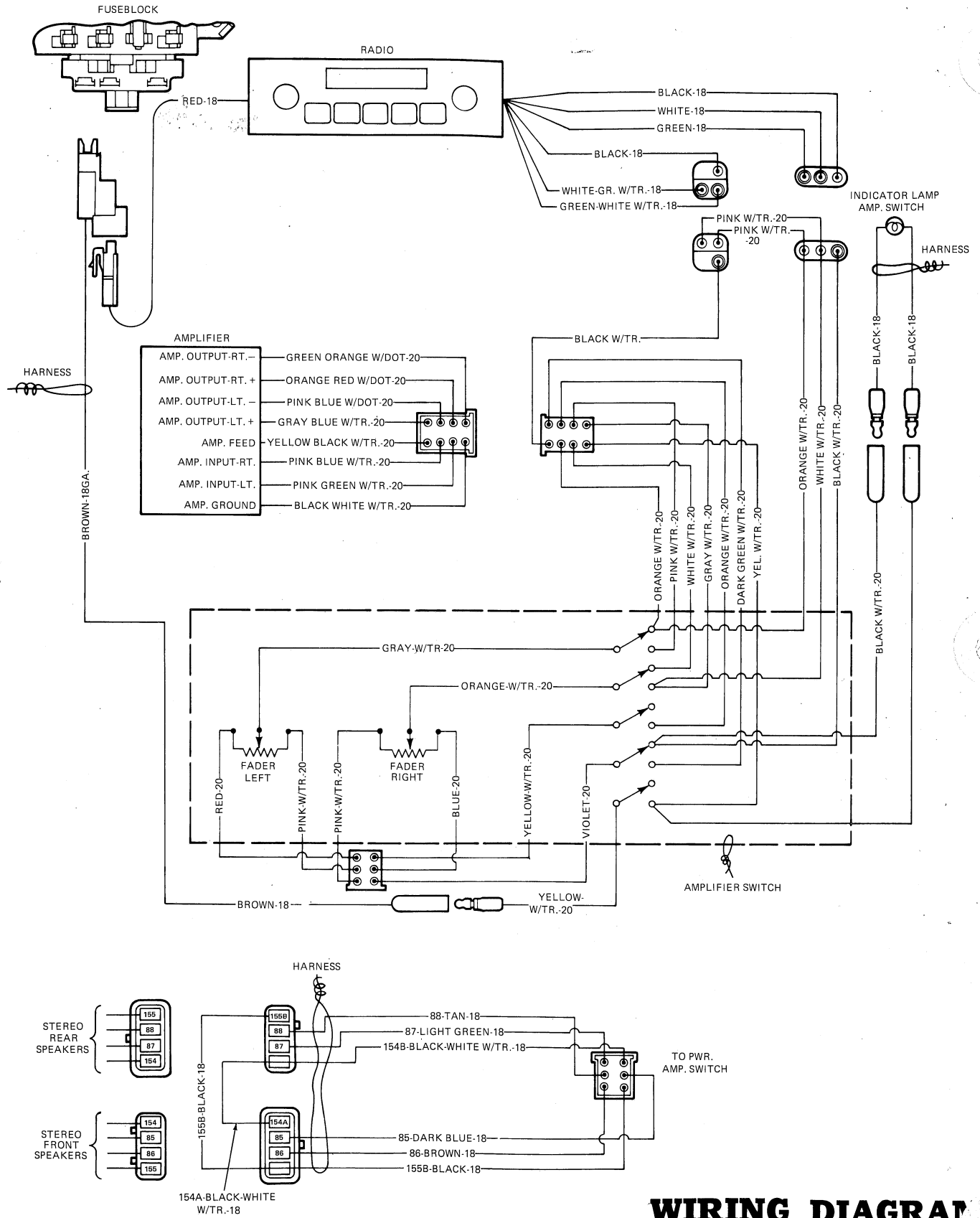
**WIRING DIAGRAM
6-CYLINDER ENGINE
CJ MODELS**

COMPONENT GRID LOCATOR 6-CYLINDER ENGINE CJ MODELS

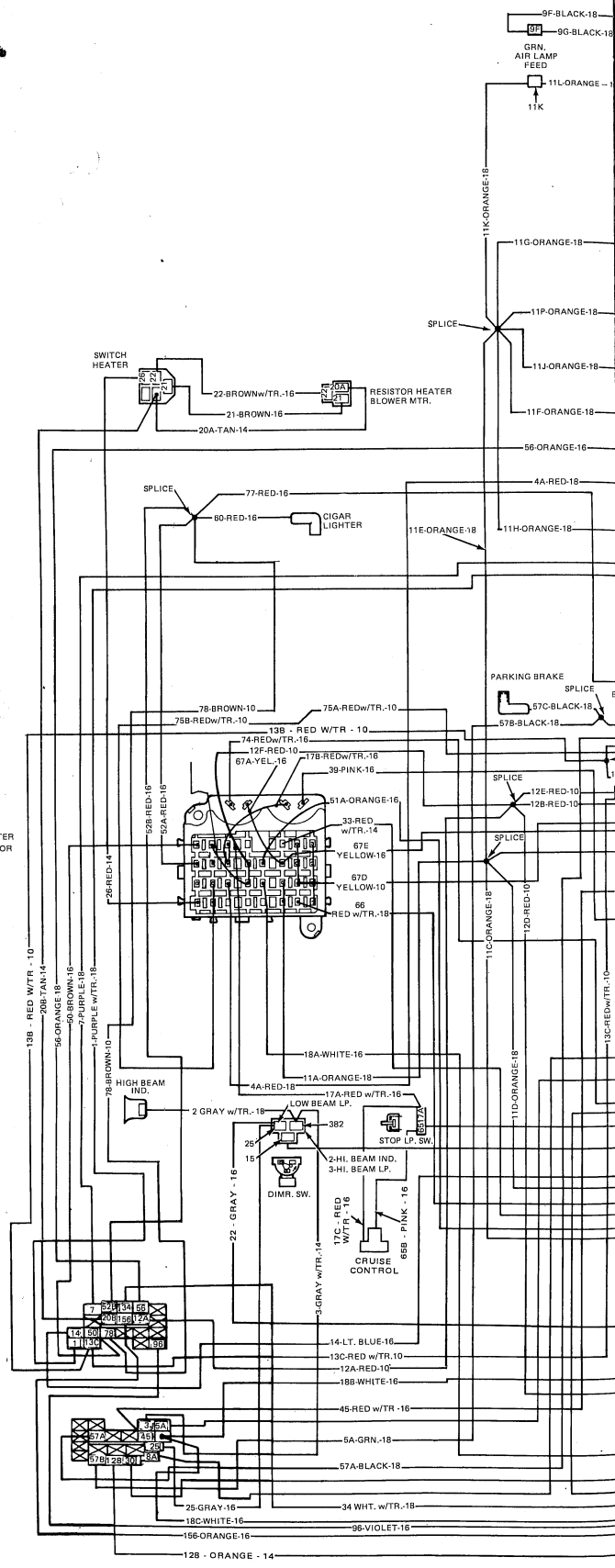
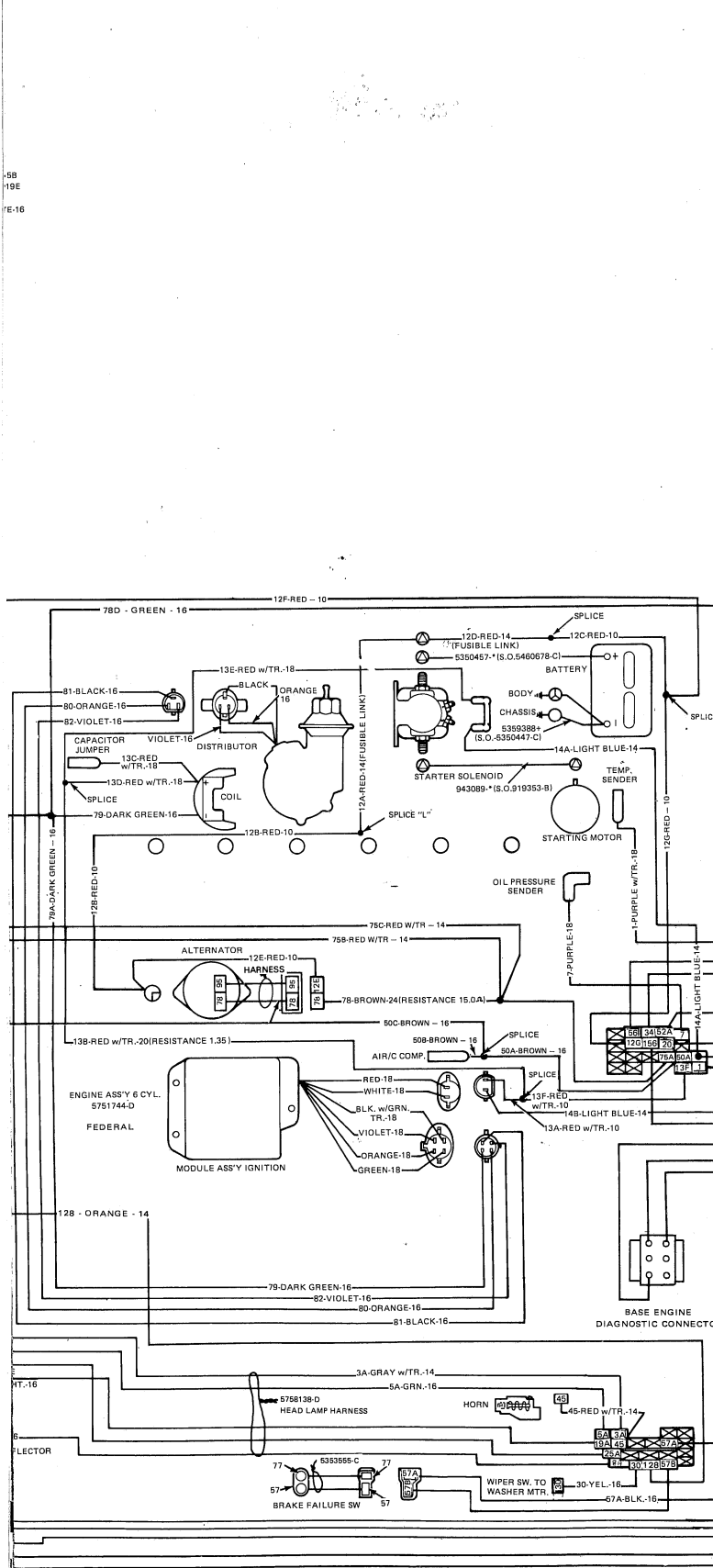
NOMENCLATURE	LOCATION
Air Conditioning Compressor	D-3
Alternator	D-3
Back-Up Lamp, Right Side	C-11
Back-Up Lamp, Left Side	D-11
Back-Up Light Switch Automatic Transmission	D-9
Back-Up Light Switch Manual Transmission	C-9,D-9
Back-Up Neutral Safety Switch	E-1
Battery	C-4
Body Ground	C-3
Brake Failure Switch	E-3
Brake Warning Lamp	C-6
Capacitor Jumper	C-2
Chassis Ground	C-3
Choke Solenoid	E-1
Cigar Lighter	B-5
Clock	B-9
Coil	C-3
Control Vacuum Solenoid	C-1
Cruise Control	D-5
Dimmer Switch	D-5
Distributor	C-3
Electric Choke Switch	E-1
Engine Heater	B-1
Fog Lamp	D-2
Fog Lamp Relay	D-7
Fog Lamp Switch	C-7
Four Wheel Drive Indicator	D-9
Four Wheel Drive Indicator Lamp	B-6
Fuel Gage	B-7
Fuel Sender	D-10
Headlamp, Left Side	D-1
Headlamp, Right Side	B-1
Heater Motor	C-4
Heater Switch	B-5
High Beam Indicator	D-5
Horn	E-3
Horn Relay	C-6
Ignition Switch	C-7
Light Switch Lamp	D-7
Low Beam L/P	D-5
Manifold Heater Relay	B-1
Marker and Reflector, Left Side, Front	E-2
Marker and Reflector, Right Side, Front	A-2
Marker and Reflector, Left Side, Rear	E-10
Marker and Reflector, Right Side, Rear	B-10
Module Assembly Ignition	D-3
Neutral Safety Ground	E-1
Neutral Safety Switch	D-9

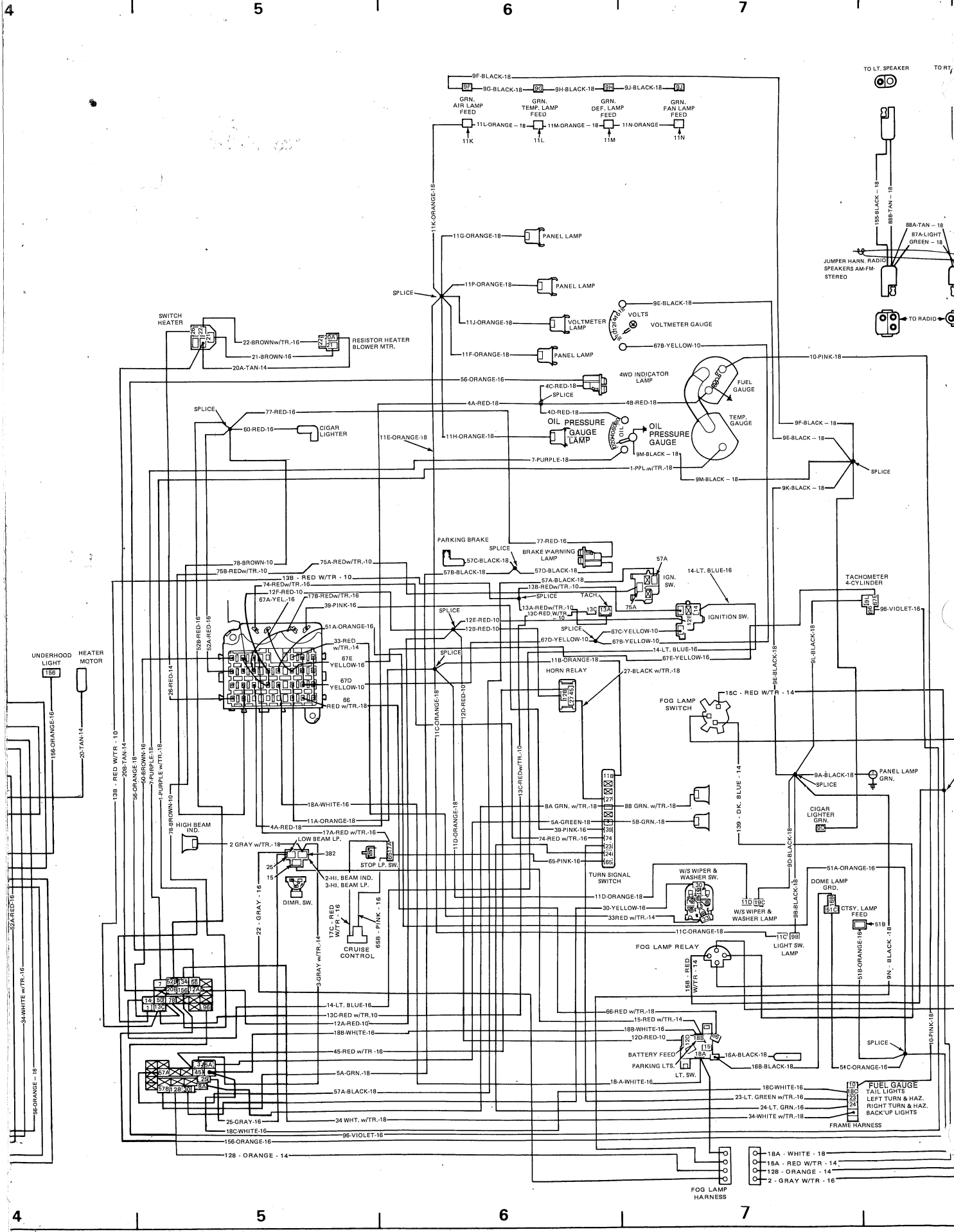
NOMENCLATURE	LOCATION
Oil Gauge	B-7
Oil Lamp Gauge	B-6
Oil Pressure Sender	D-3
Panel Lamp	B-6
Park and Signal Lamp, Left Side	D-1
Park and Signal Lamp, Right Side	A-1
Parking Brake	C-6
Resistor, Heater Blower Motor	B-5
Splice A	A-2
Splice B	B-2
Splice C	C-2
Splice D	E-2
Splice E	E-2
Splice F	E-2
Splice G	A-3
Splice H	A-3
Splice I	A-3
Splice J	B-3
Splice K	C-3
Splice L	C-3
Splice M	D-4
Splice N	B-5
Splice O	B-5
Splice P	C-5
Splice Q	B-6
Splice R	B-6
Splice S	C-6
Splice T	C-6
Splice U	C-6
Splice V	C-6
Splice W	C-6
Splice X	D-7
Splice Y	E-8
Starting Motor	C-4
Starter Solenoid	C-3
Stoptamp Switch	D-5
Tachometer	A-10
Tail and Stop Lamp, Left Side	D-11
Tail and Stop Lamp, Right Side	C-11
Temperature Gauge	B-7
Temperature Sender	C-4
Thermo Electric Switch	D-1
Turn Signal Switch	D-6
Underhood Light	C-4
Voltmeter Gauge	B-7
Voltmeter Lamp	B-6
Windshield Wiper and Washer Lamp	D-7
Windshield Wiper Motor	C-9
Windshield Wiper and Washer Switch	D-7

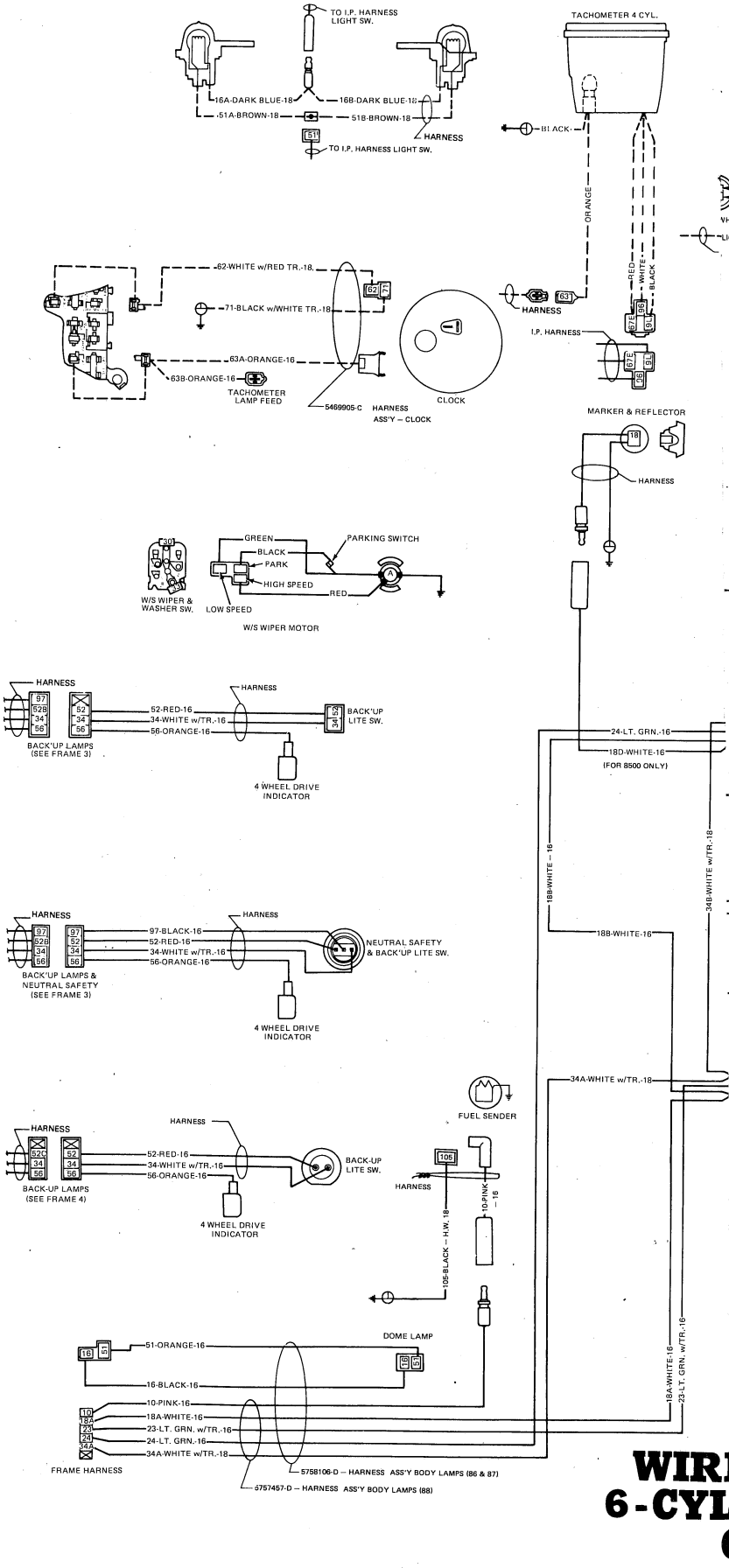
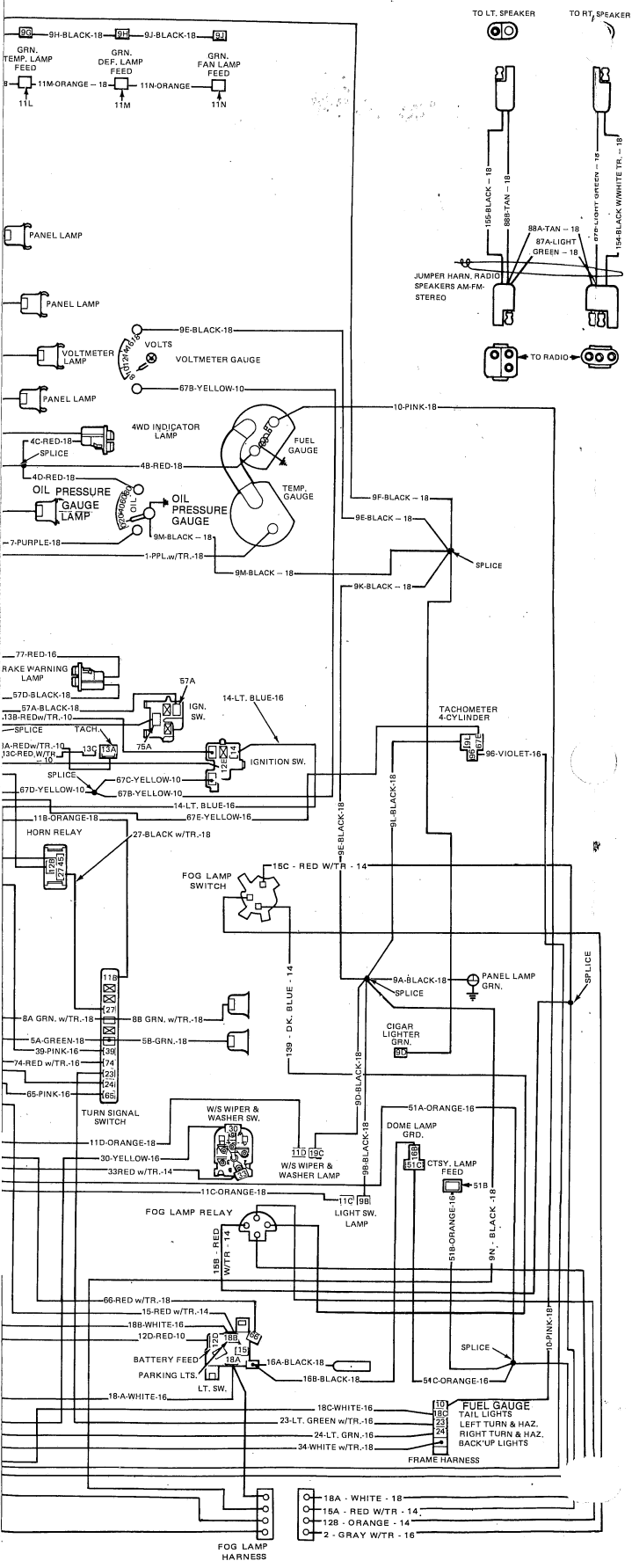
W-4 WIRING DIAGRAMS

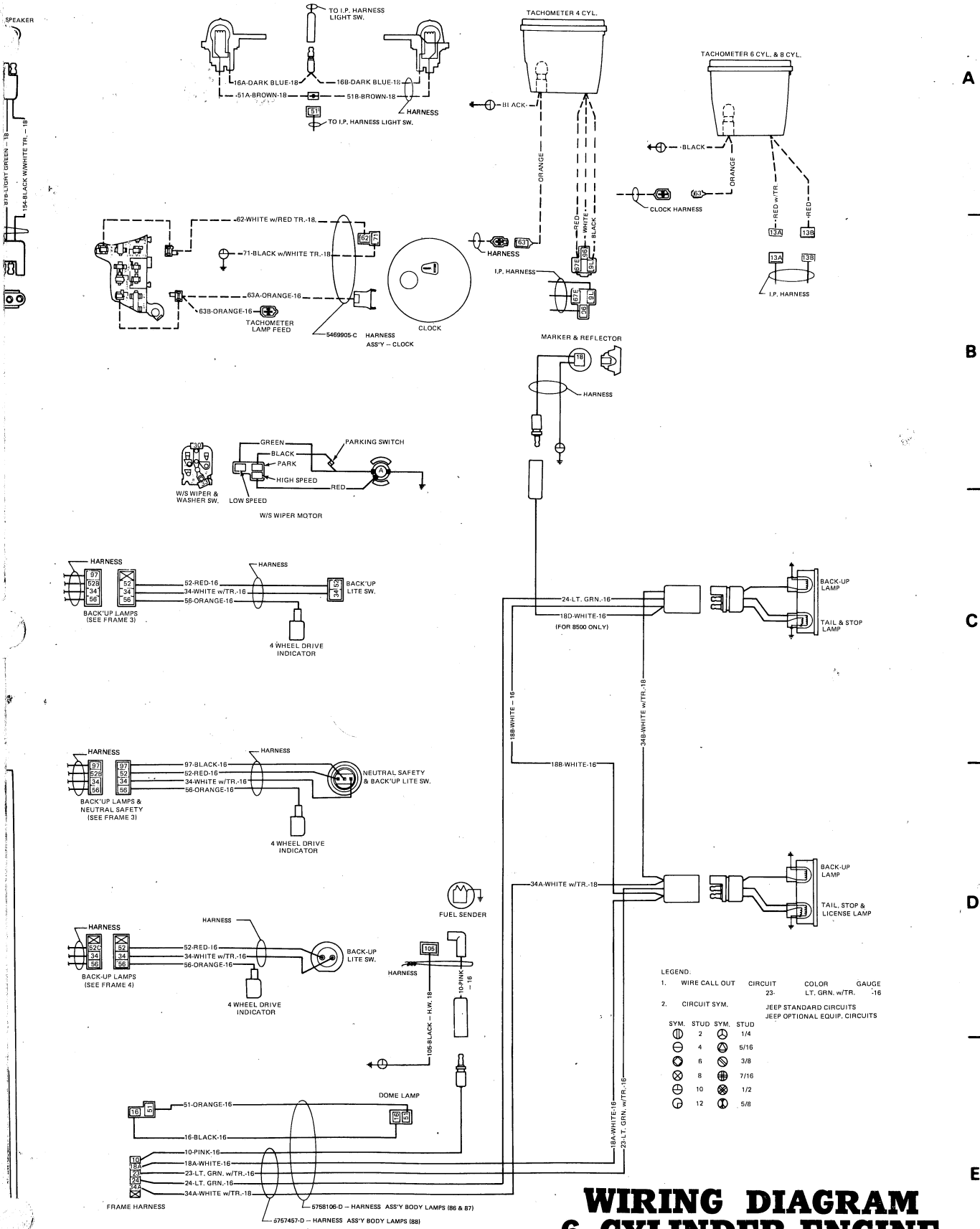


**WIRING DIAGRAM
RADIO
POWER AMP.**









A

B

C

D

E

WIRING DIAGRAM 6-CYLINDER ENGINE CJ MODELS

LEGEND:

- WIRE CALL OUT
- CIRCUIT SYM.

CIRCUIT	COLOR	GAUGE	
23-	LT. GRN. w/TR.	-16	
JEEP STANDARD CIRCUITS			
JEEP OPTIONAL EQUIP. CIRCUITS			
SYM.	STUD.	SYM.	STUD.
⊕	2	⊕	1/4
⊖	4	⊖	5/16
⊗	6	⊗	3/8
⊙	8	⊙	7/16
⊕	10	⊕	1/2
⊖	12	⊖	5/8

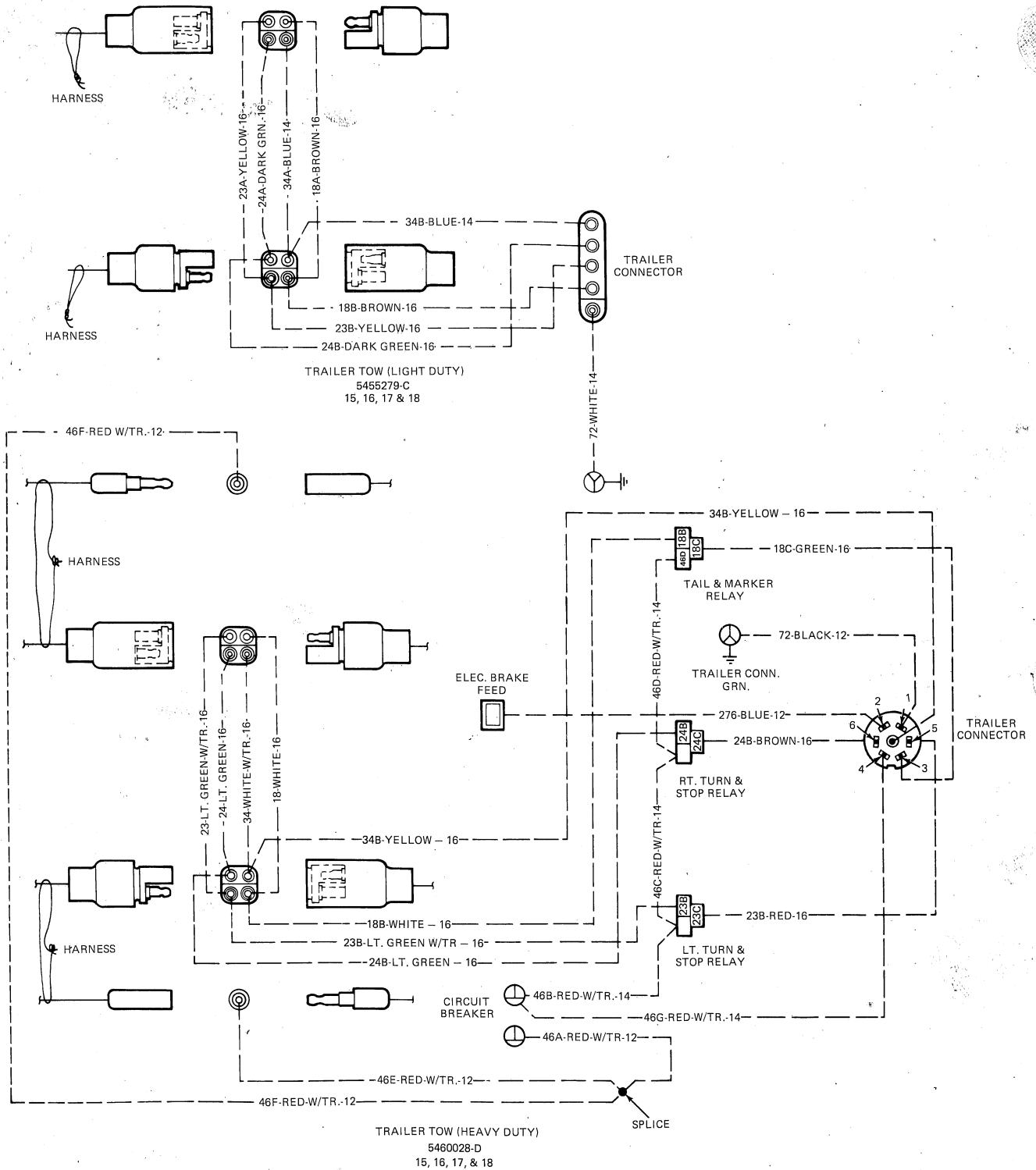
**WIRING DIAGRAM
8-CYLINDER ENGINE
CHEROKEE - WAGONEER - TRUCK**

COMPONENT GRID LOCATOR 8-CYLINDER ENGINE CHEROKEE - WAGONEER - TRUCK

NOMENCLATURE	LOCATION
Air Conditioning Compressor	C-3
Alternator	B-2
Ammeter	B-6
Backup Lamp, Left Side, Right Hand 25, 26, 27	B-10
Backup Lamp, Right Side, Left Hand 25, 26, 27	C-10
Battery	A-4
Body Ground	A-4
Brake Warning	E-8
Brake Light Feed	A-8
Capacitor Jumper	A-2
Cargo Lamp	B-9
Cargo Lamp Switch	C-9
Chassis Ground	A-4
Cigar Lighter	B-6
Cluster Connection	C-6
Coil	B-2
Cruise Control Regulator	A-12
Courtesy Lamp	B-8,D-8
Defogger — Optional	D-14
Defogger — Switch	D-7
Digital Clock	C-8
Dimmer Switch	D-6
Directional Signal, 16, 17, 18 Only	B-7
Distributor	C-2
Dome Lamp	D-8
Dome LP	C-12
Door Switch, Left and Right Hand	B-10,D-10
Electric Choke	C-2
Electric Choke Switch	C-2
Fog Lamp Relay	E-9
Four Wheel Drive Indicator Lamp	B-5
Fuel Sender	E-9
Glove Box Light	B-13
Headlamp, Left Side	D-1
Headlamp, Right Side	B-1
Heater Blower Motor	D-3
Heater Control Switch	C-8
Heater Lamps	C-6
Horns	E-3
Horn Relay	D-6
Ignition Switch, Left Side	B-6
Ignition Switch, Right Side	A-6
Light Switch	D-7
License Lamp, 25, 26, 27	C-10
License Lamp, 16, 17, 18	C-11
License Lamp	D-14
Marker and Reflector Lamp, 16, 17, 18, Right Hand	B-11
Marker and Reflector Lamp, 16, 17, 18, Left Hand	D-11
Marker and Reflector Lamp, Left Side	E-2
Marker and Reflector Lamp, Right Side	A-2

NOMENCLATURE	LOCATION
Marker and Reflector Lamp, R.H. Side, 25, 26, 27	B-10
Marker and Reflector Lamp, L.H. Side, 25, 26, 27	C-10
Module Assembly Ignition	C-2
Oil Pressure	C-4
Park and Signal Lamp, Left Side	D-1
Park and Signal Lamp, Right Side	B-1
Parking Brake Warning Switch	C-6
Relay	B-12
Seat Belt Buzzer	A-5
Seat Belt Lamp	E-7
Seat Belt Timer	D-7
Splice A	B-2
Splice B	B-2
Splice C	B-2
Splice D	D-2
Splice E	D-2
Splice F	D-2
Splice G	B-3
Splice H	C-3
Splice I	B-3
Splice K	B-5
Splice L	C-5
Splice M	B-5
Splice N	B-6
Splice O	B-6
Splice P	C-6
Splice Q	B-6
Splice R	C-7
Splice S	D-7
Splice T	C-9
Splice U	C-13
Splice Z	C-3
Starter Solenoid	B-3
Starting Motor	B-3
Stop Light Switch	A-7
Stop Light Switch and Cruise Control	B-12
Tail and Stoplamp, Right Hand Side	B-10
Tail and Stoplamp, Left Hand Side	C-10
Tailgate Switch	D-7
Tail, Stop and Backup Lamp, 16, 17, 18, Right Hand	B-11
Tail, Stop and Backup Lamp, 16, 17, 18, Left Hand	D-11
Tail and Stop Lamp, 25, 26, 27, Right Hand	B-10
Tail and Stop Lamp, 25, 26, 27, Left Hand	C-10
Temperature Sender	C-4
Timer Switch	C-14
Turn Signal Switch	A-6
Underhood Light	C-4
Washer Bottle	D-3
Windshield Wiper Motor	D-3
Windshield Wiper Switch	D-6

W-6 WIRING DIAGRAMS

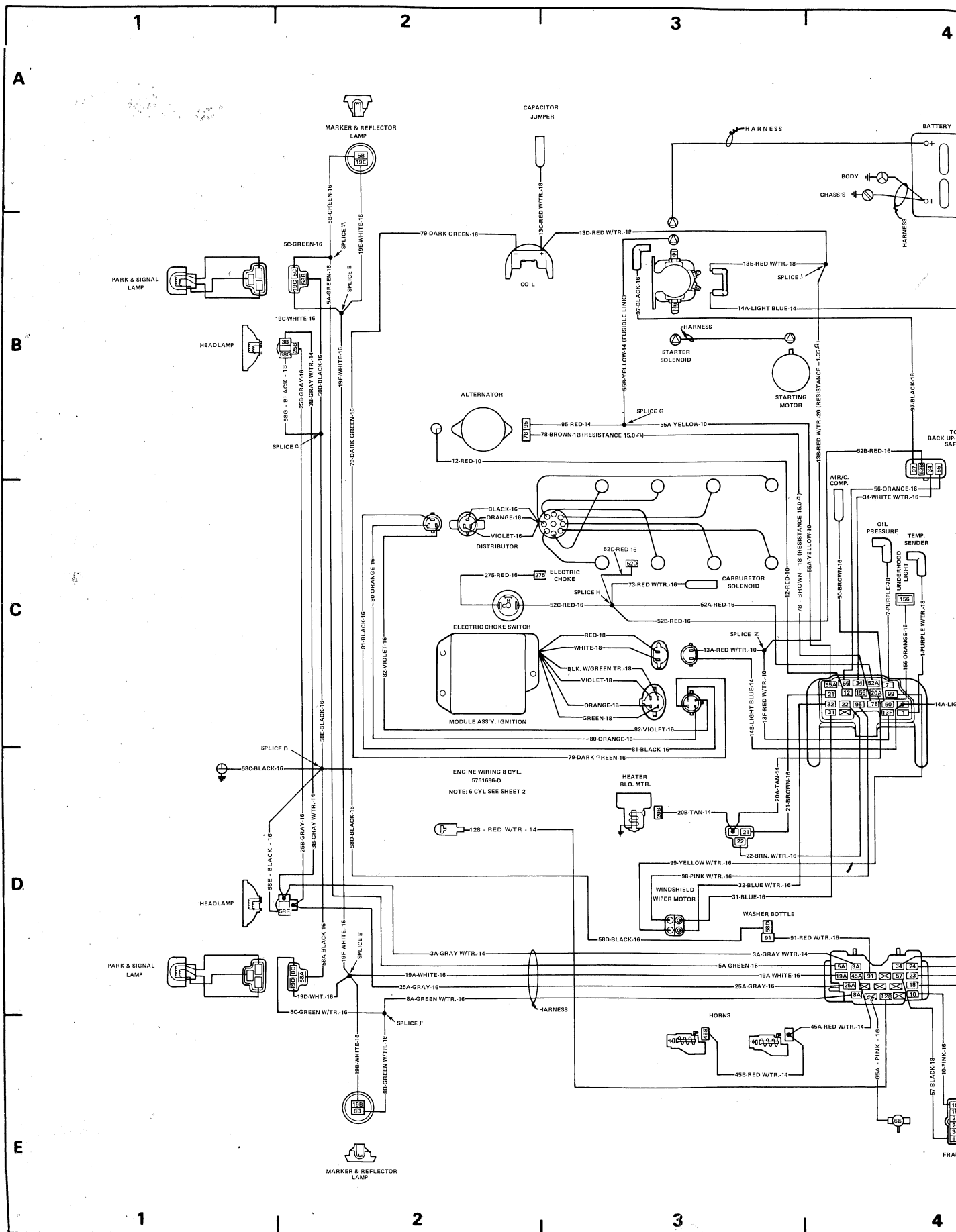


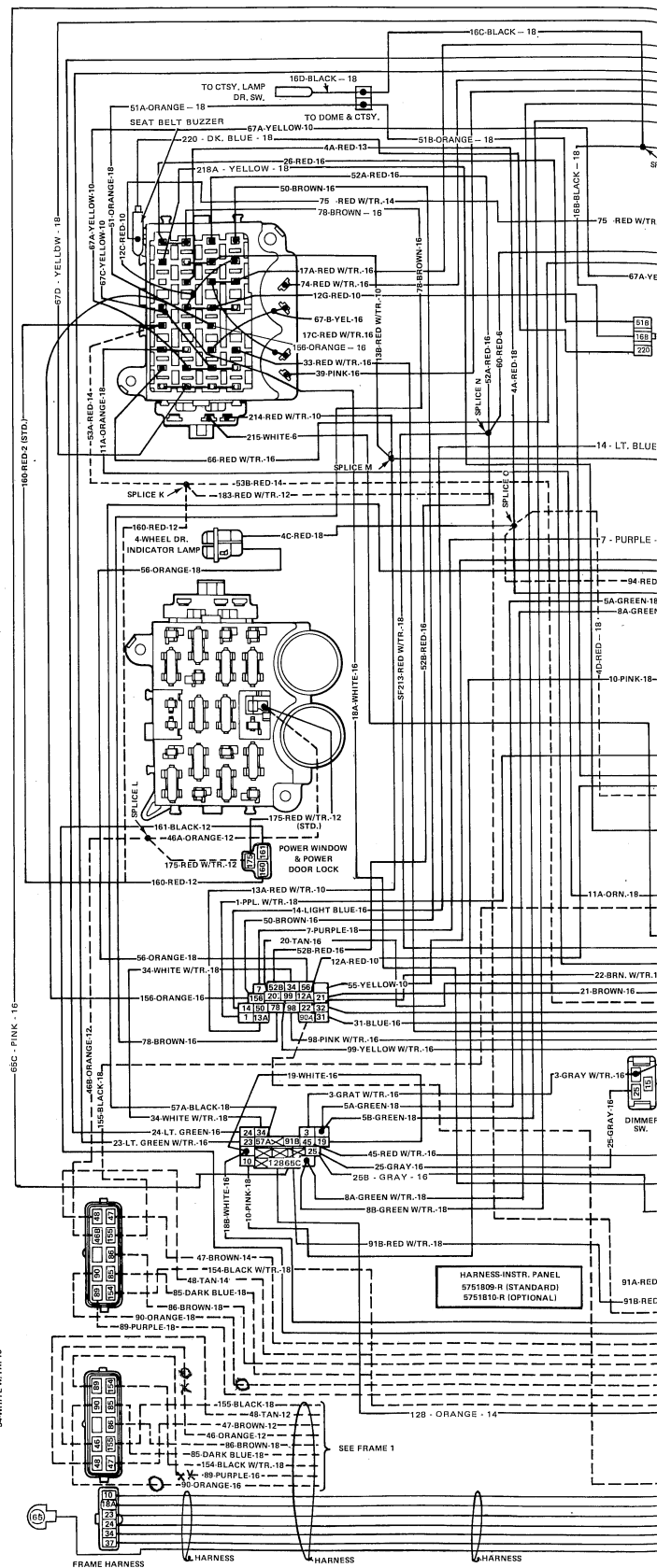
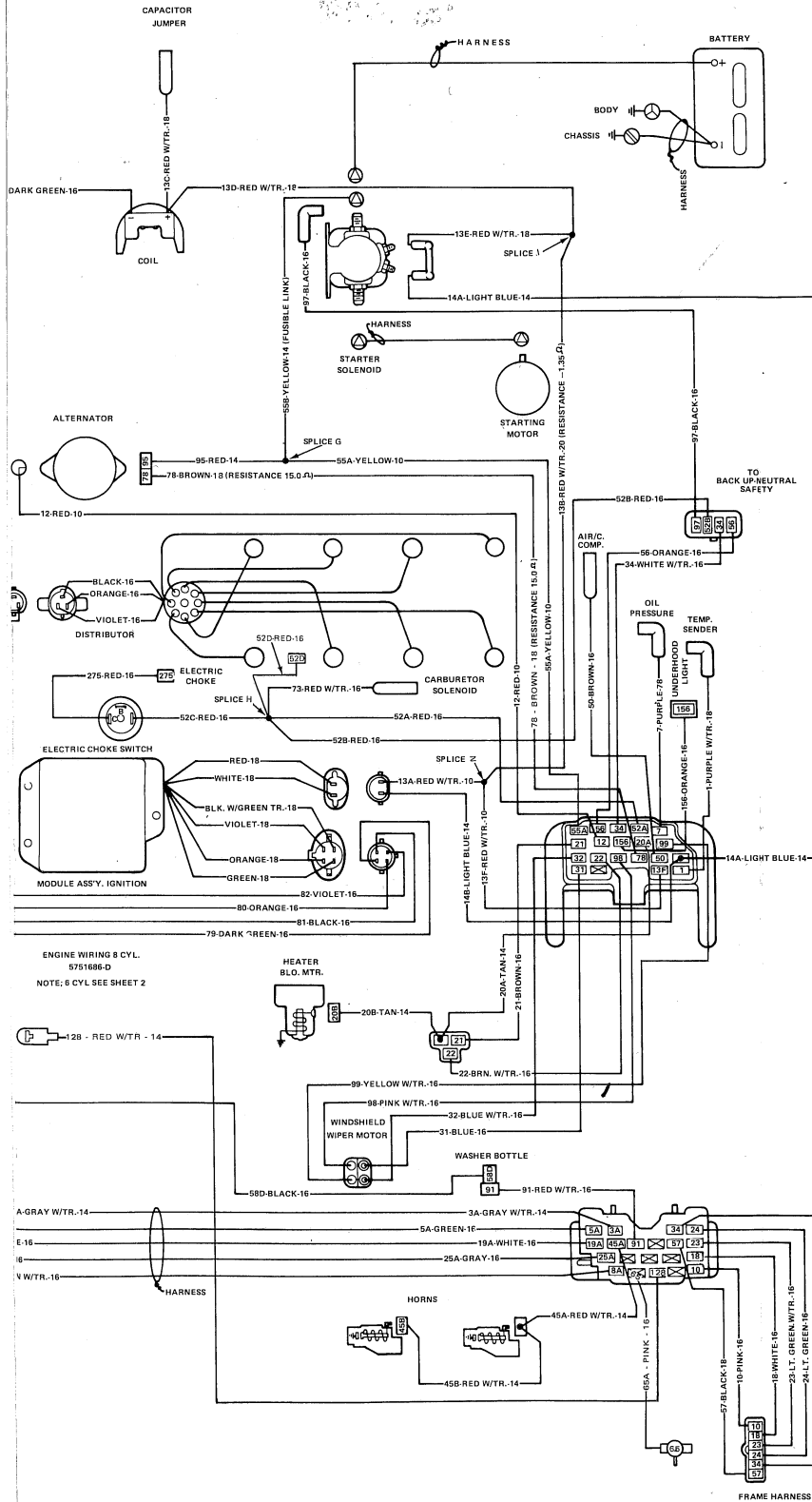
LEGEND:
 1. WIRE CALLOUT CIRCUIT COLOR GAUGE
 46A RED 12

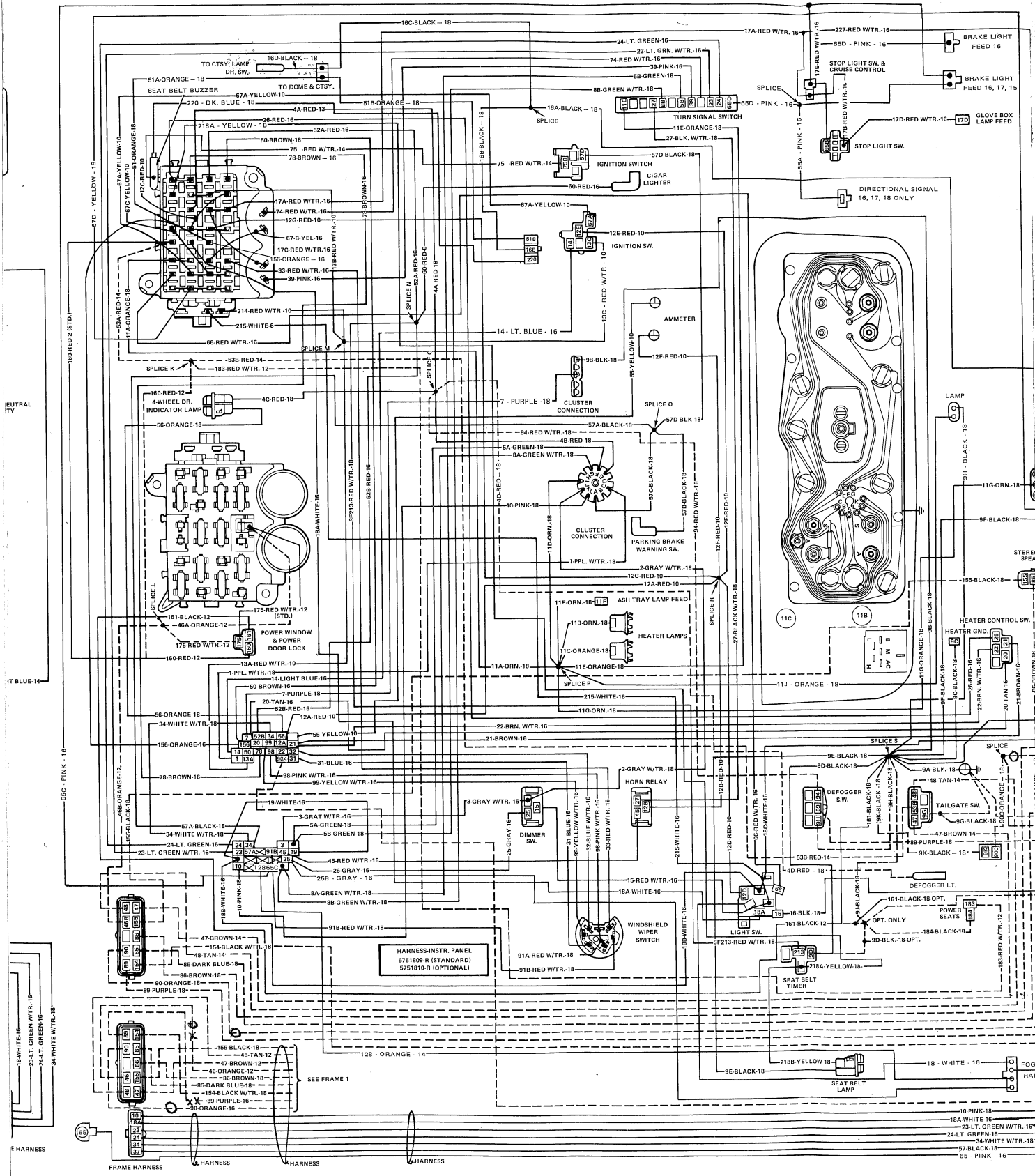
2. CIRCUIT SYM ——— STANDARD CIRCUITS
 - - - - - OPTIONAL EQUIP. CIRCUITS

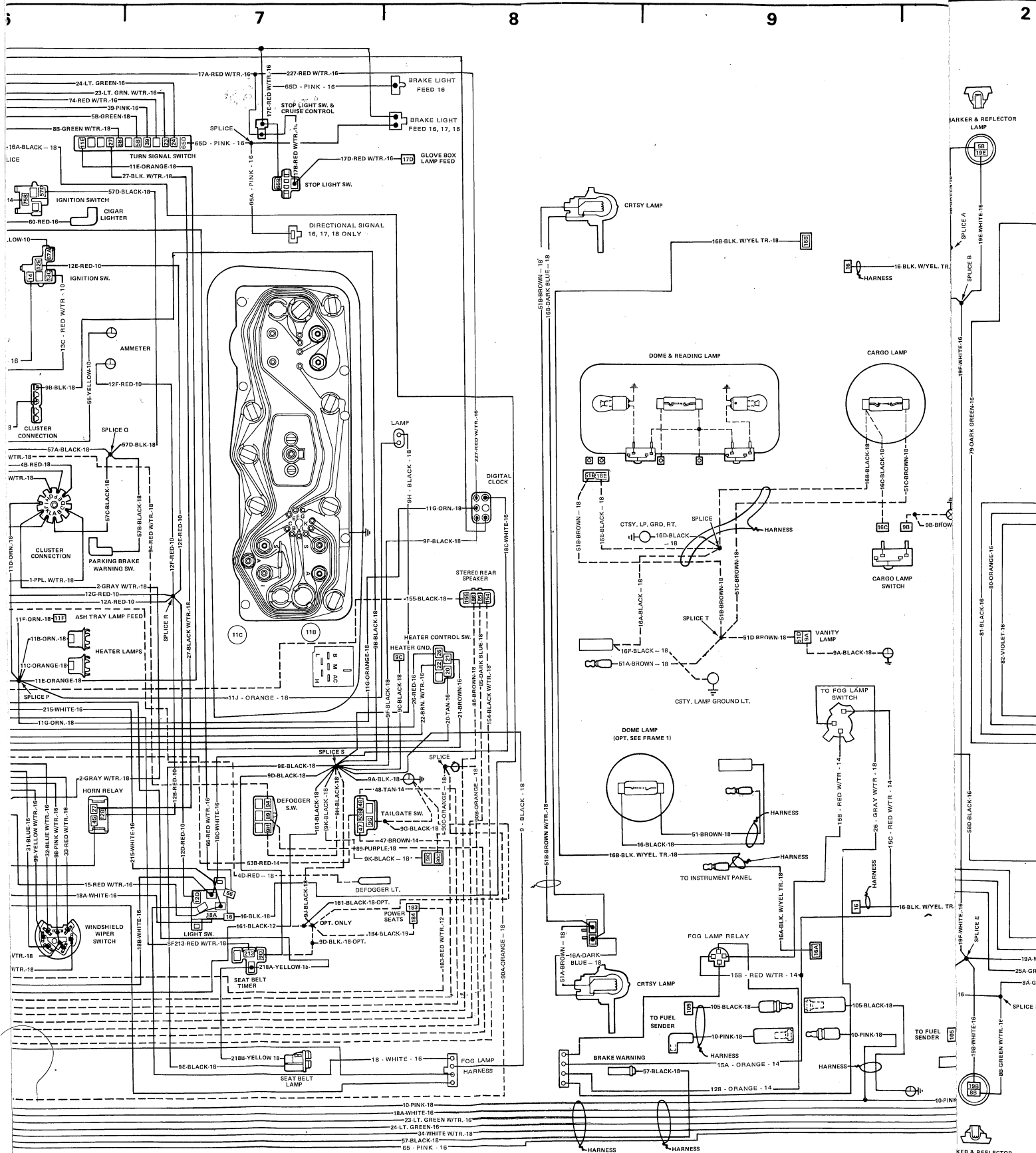
SYM	STUD	SYM	STUD
⊖ #2	⊖ 1/4	⊗ #8	⊕ 7/16
⊖ #4	⊖ 5/16	⊖ #10	⊗ 1/2
⊖ #6	⊖ 3/8	⊖ #12	⊗ 5/8

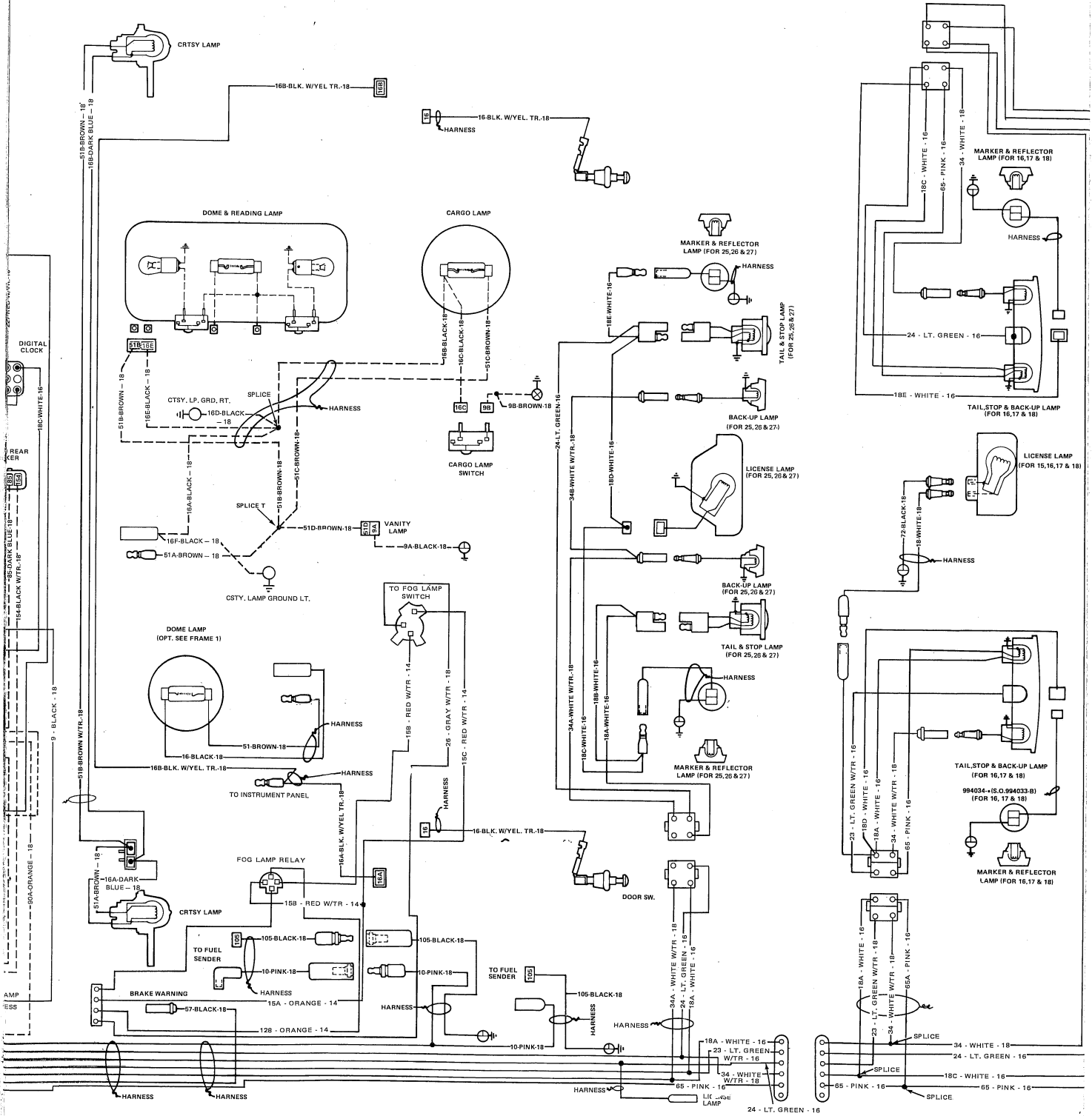
WIRING DIAGRAM TRAILER TOWING PACKAGE

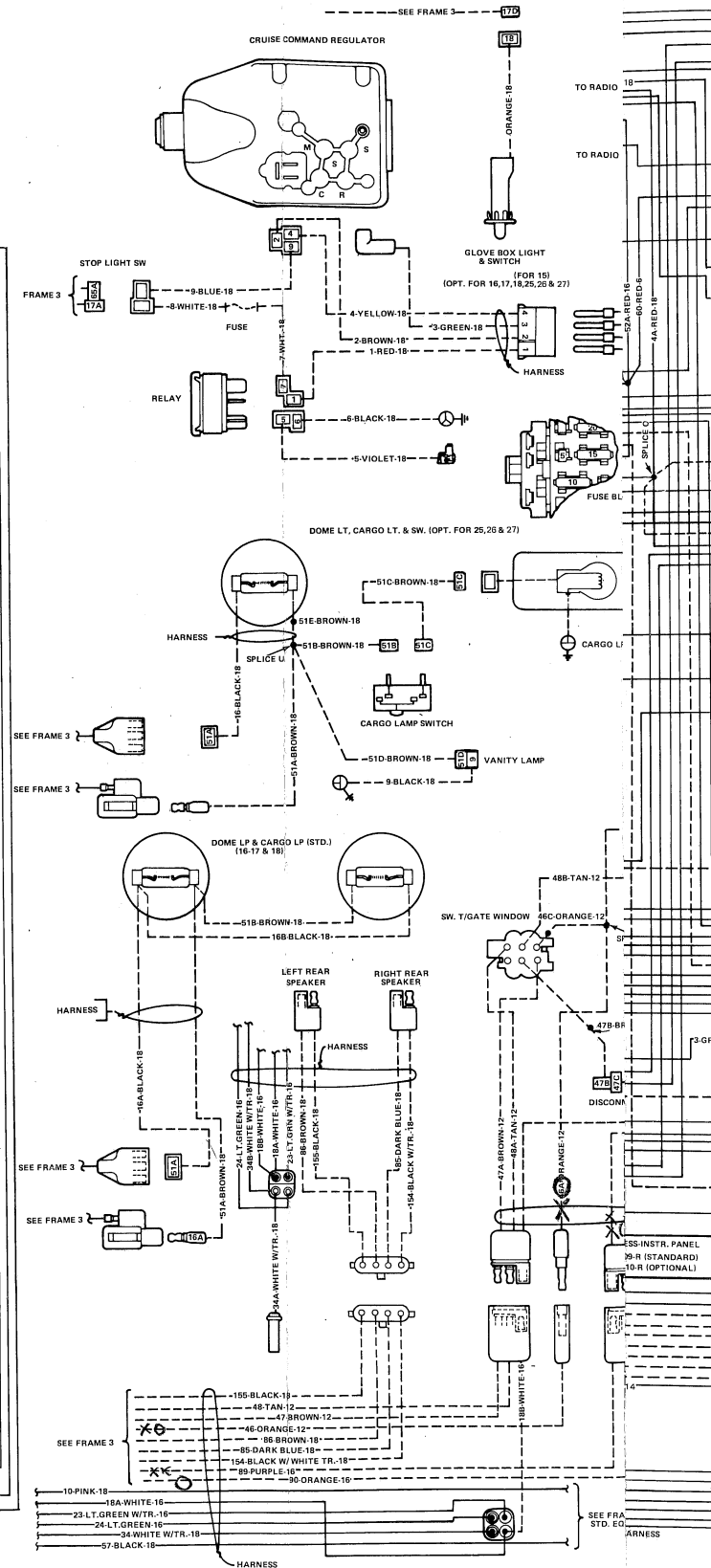
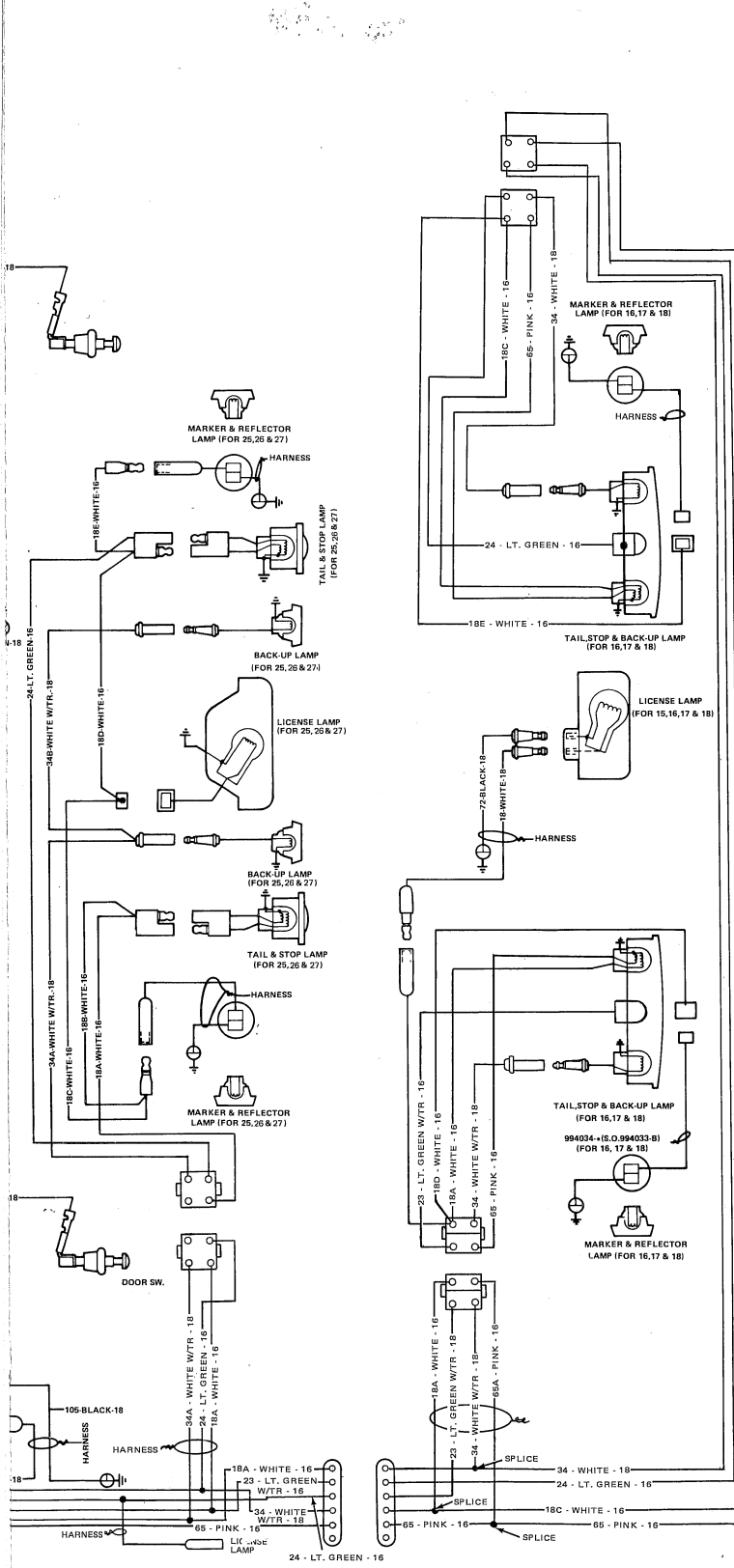


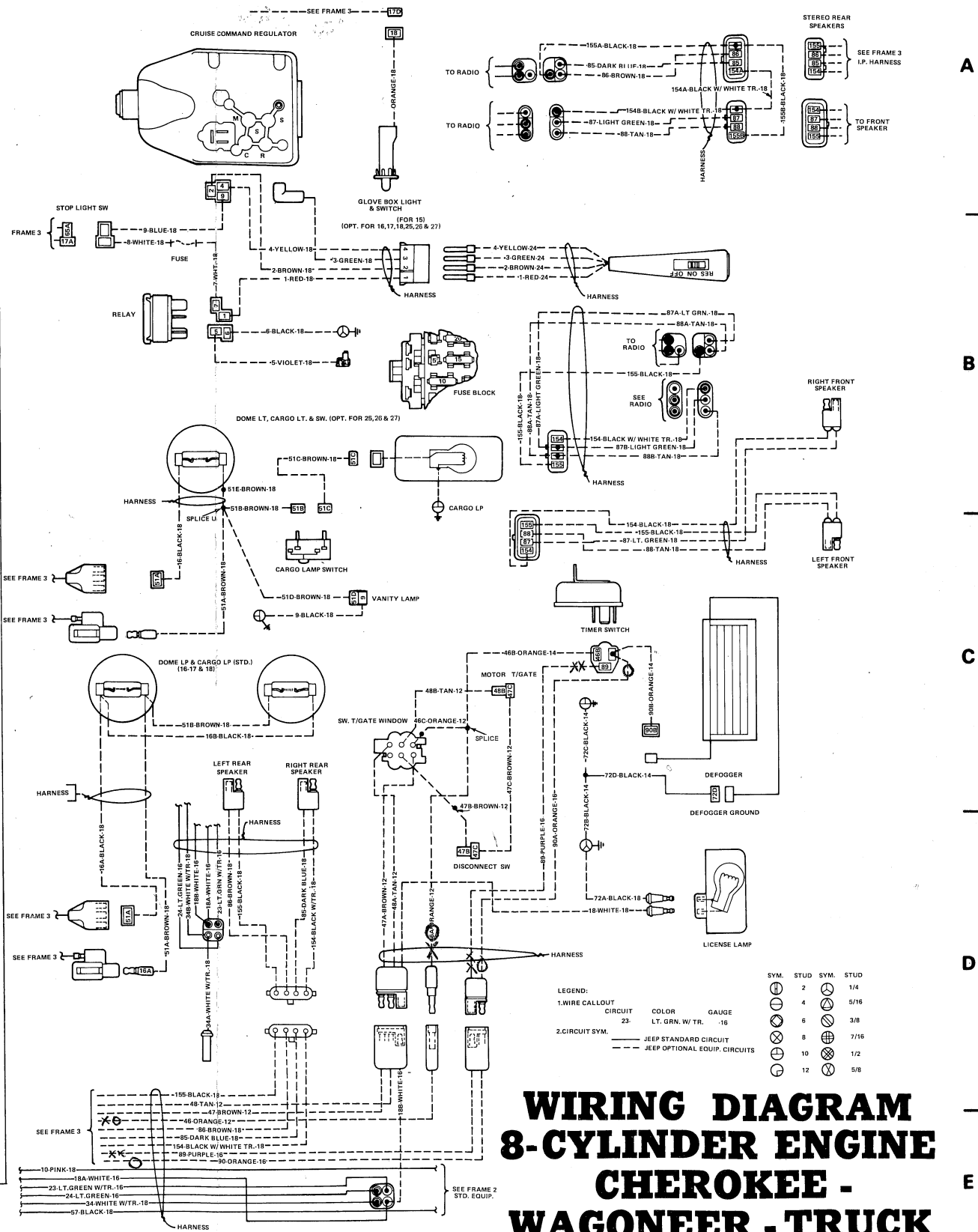












A

B

C

D

E

WIRING DIAGRAM 8-CYLINDER ENGINE CHEROKEE - WAGONEER - TRUCK

LEGEND:

1. WIRE CALLOUT

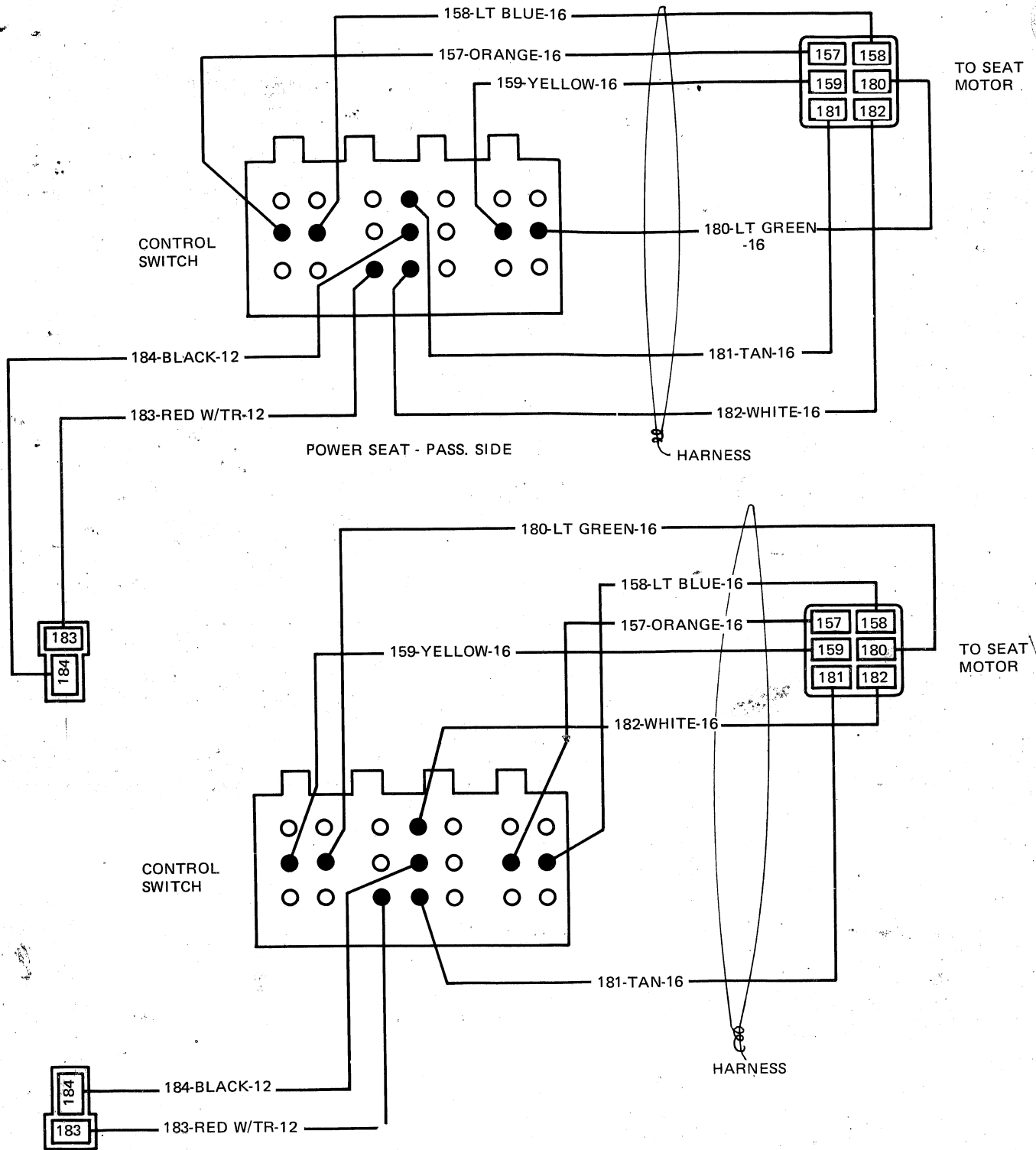
CIRCUIT	COLOR	GAUGE
23	LT. GRN. W/ TR.	16

2. CIRCUIT SYM.

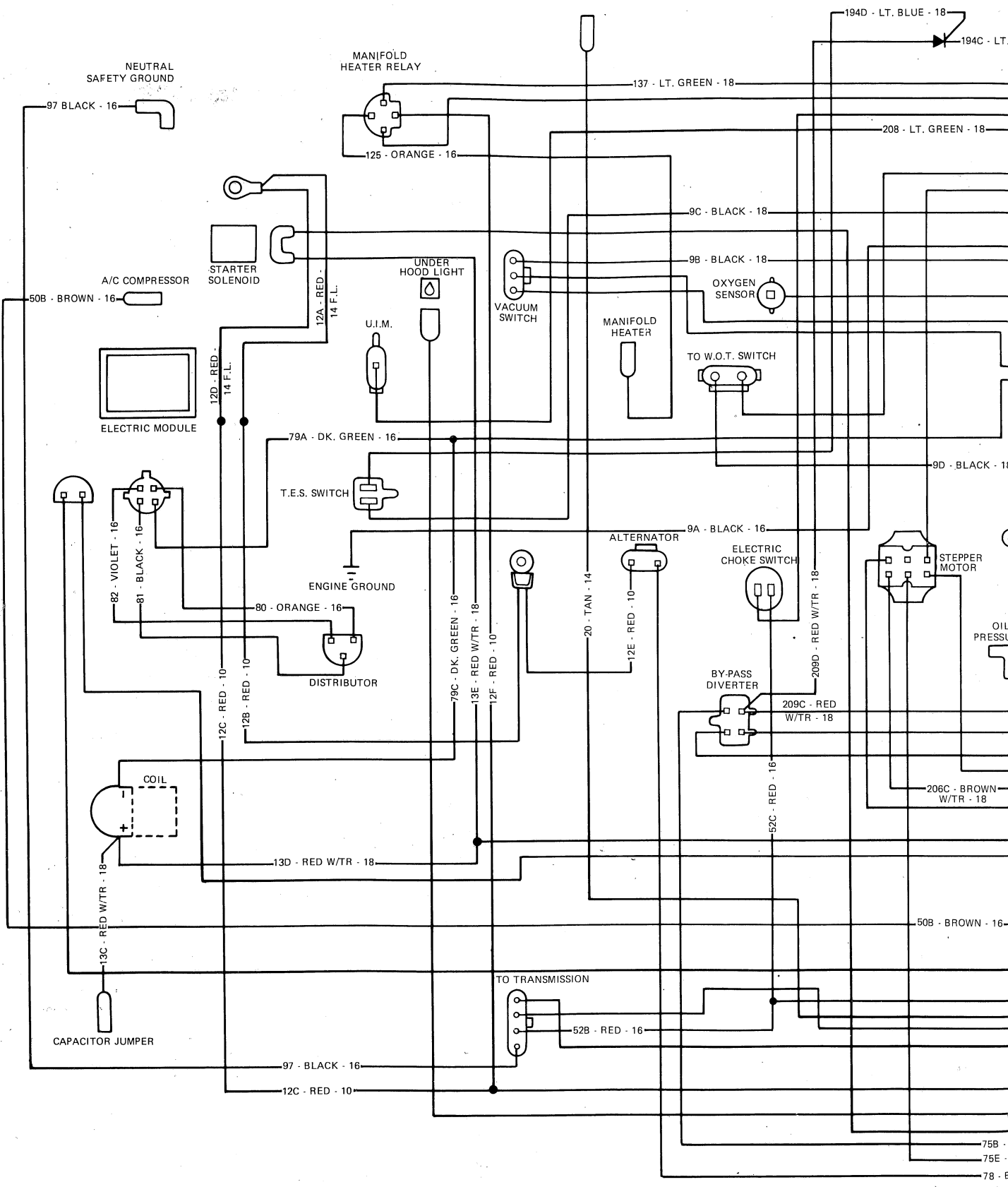
SYM.	STUD	SYM.	STUD
(Symbol)	2	(Symbol)	1/4
(Symbol)	4	(Symbol)	5/16
(Symbol)	6	(Symbol)	3/8
(Symbol)	8	(Symbol)	7/16
(Symbol)	10	(Symbol)	1/2
(Symbol)	12	(Symbol)	5/8

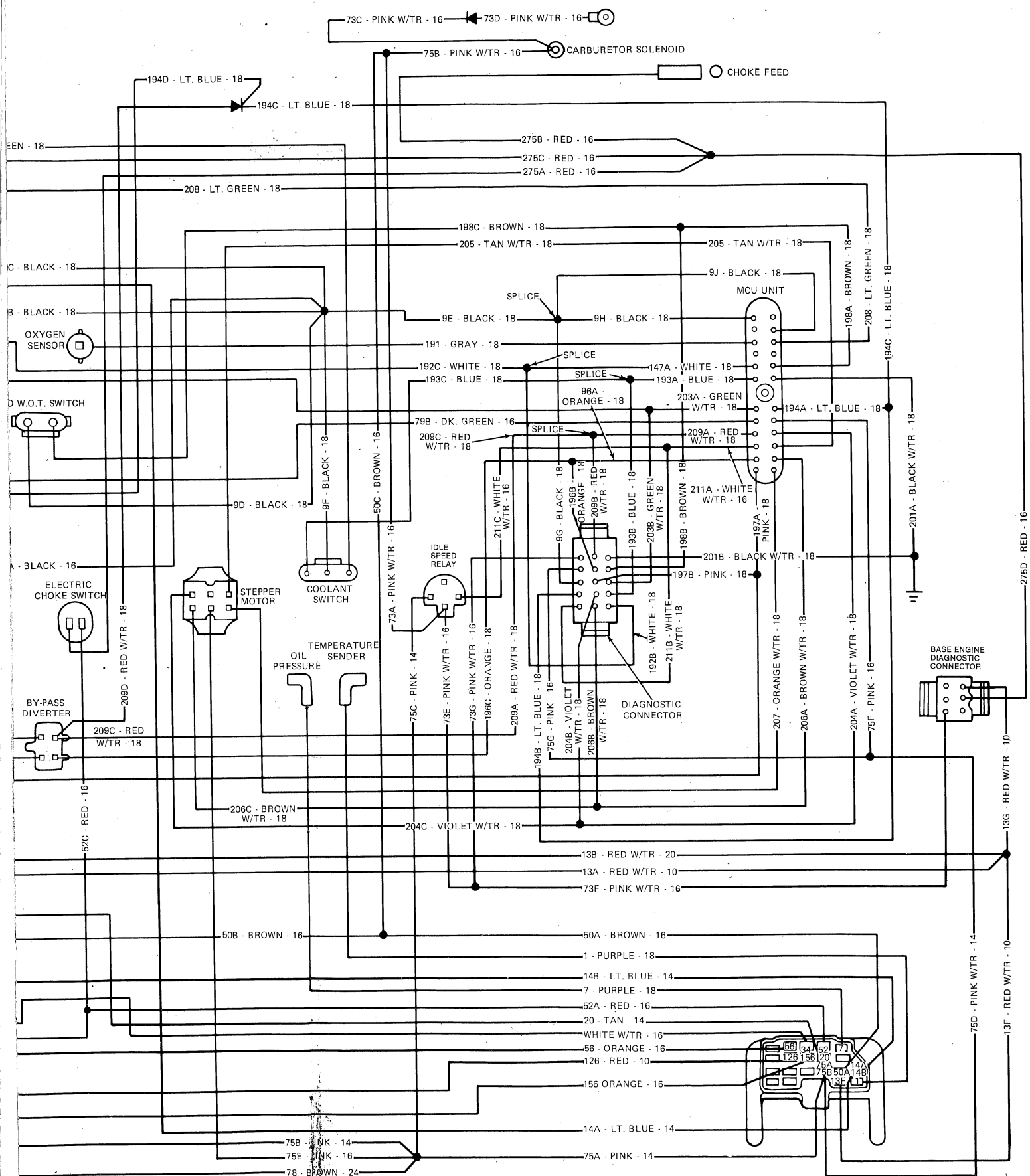
--- JEEP STANDARD CIRCUIT
- - - JEEP OPTIONAL EQUIP. CIRCUITS

**WIRING DIAGRAMS
FEEDBACK SYSTEM 6-CYLINDER
ENGINE CJ - CHEROKEE -
WAGONEER - TRUCK MODELS**

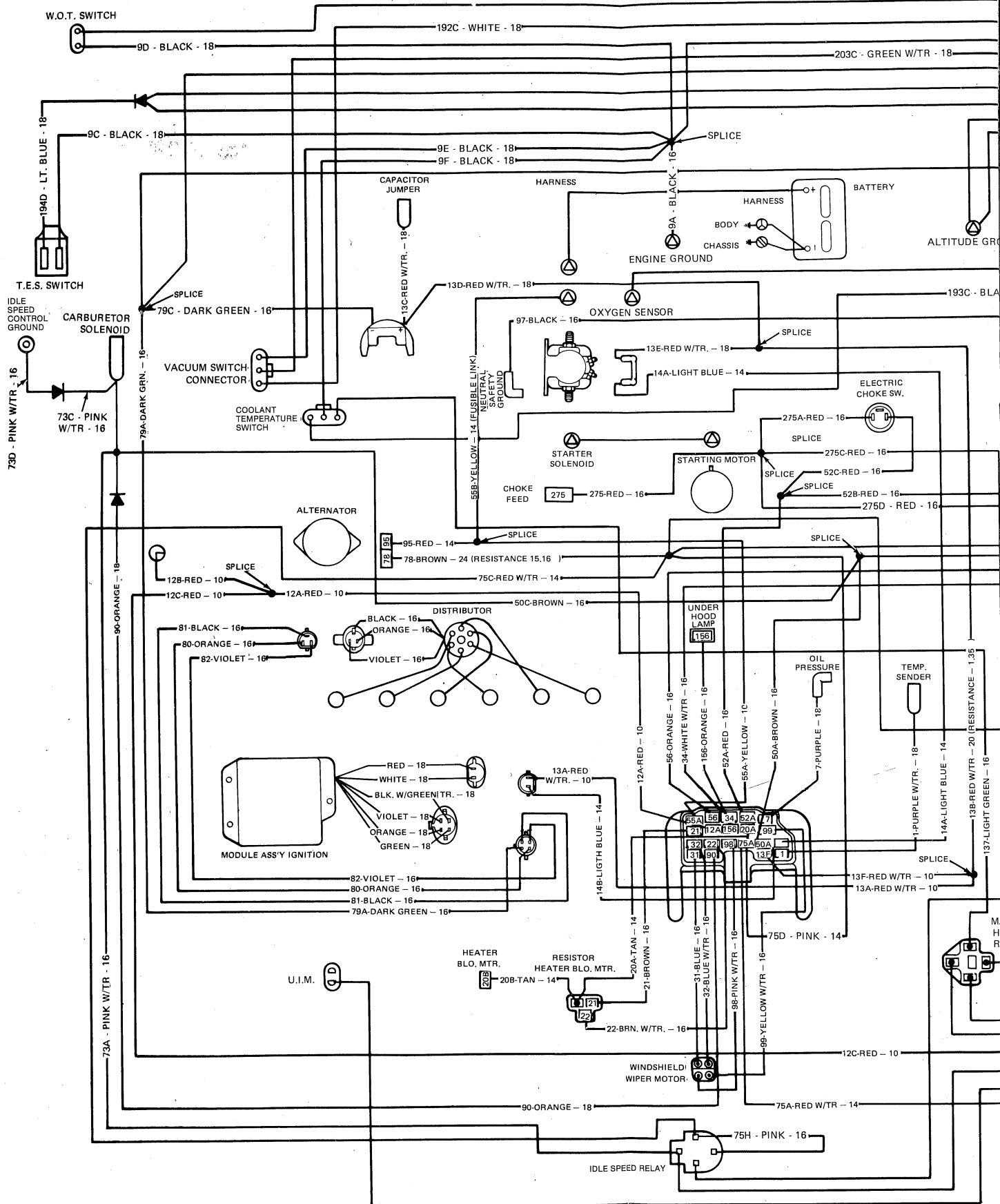


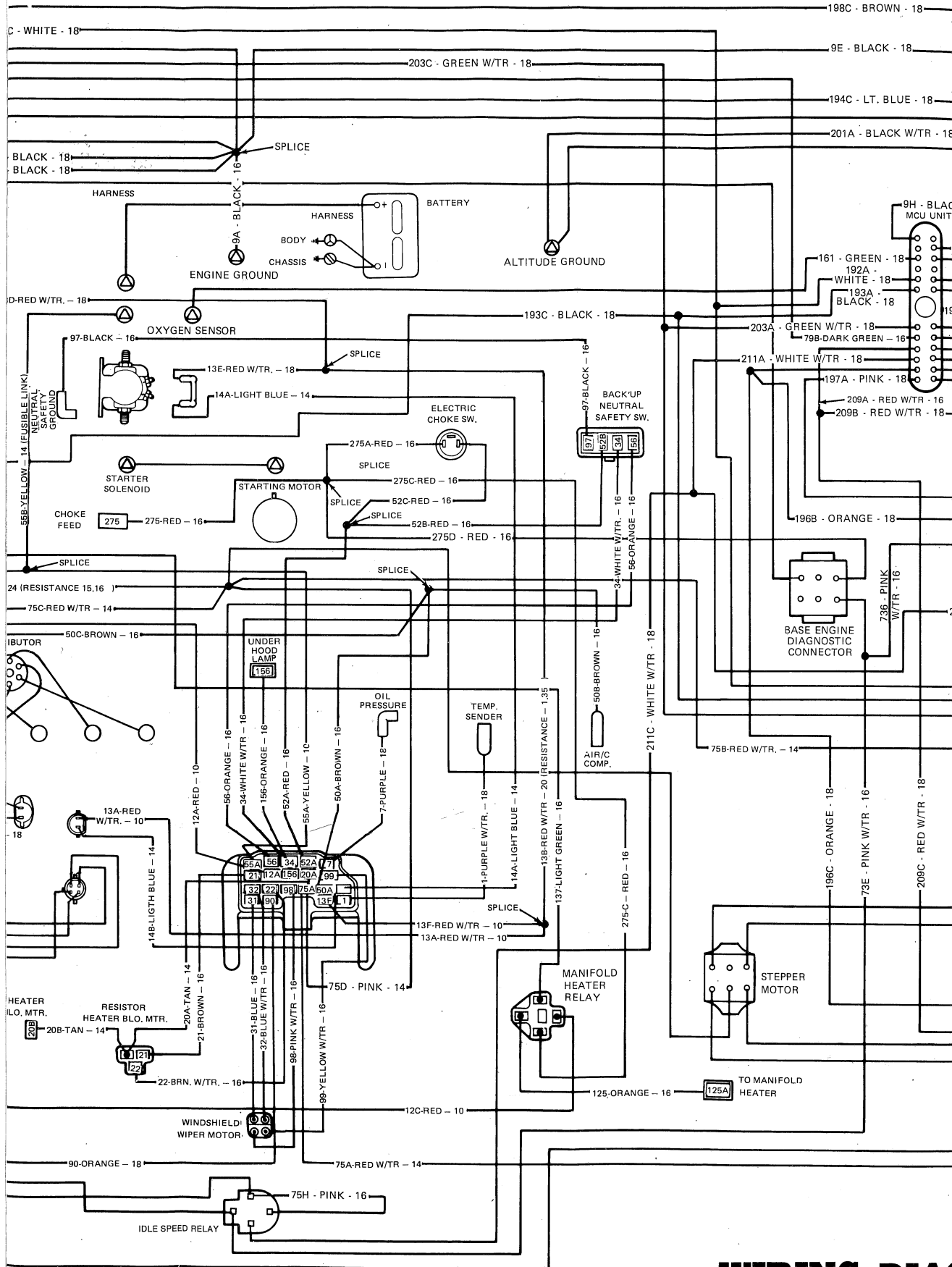
**WIRING DIAGRAM
POWER SEATS**



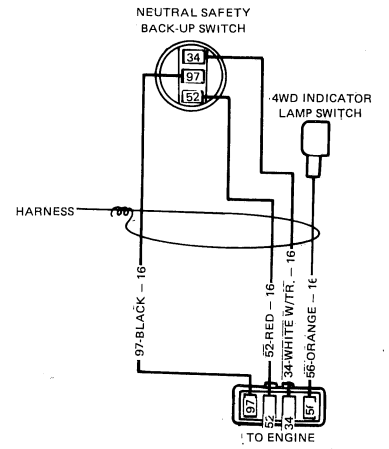
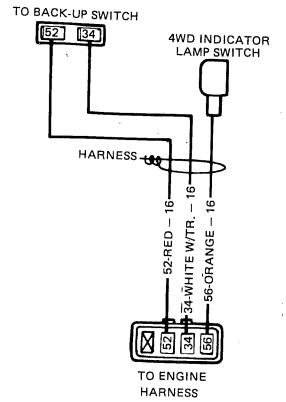
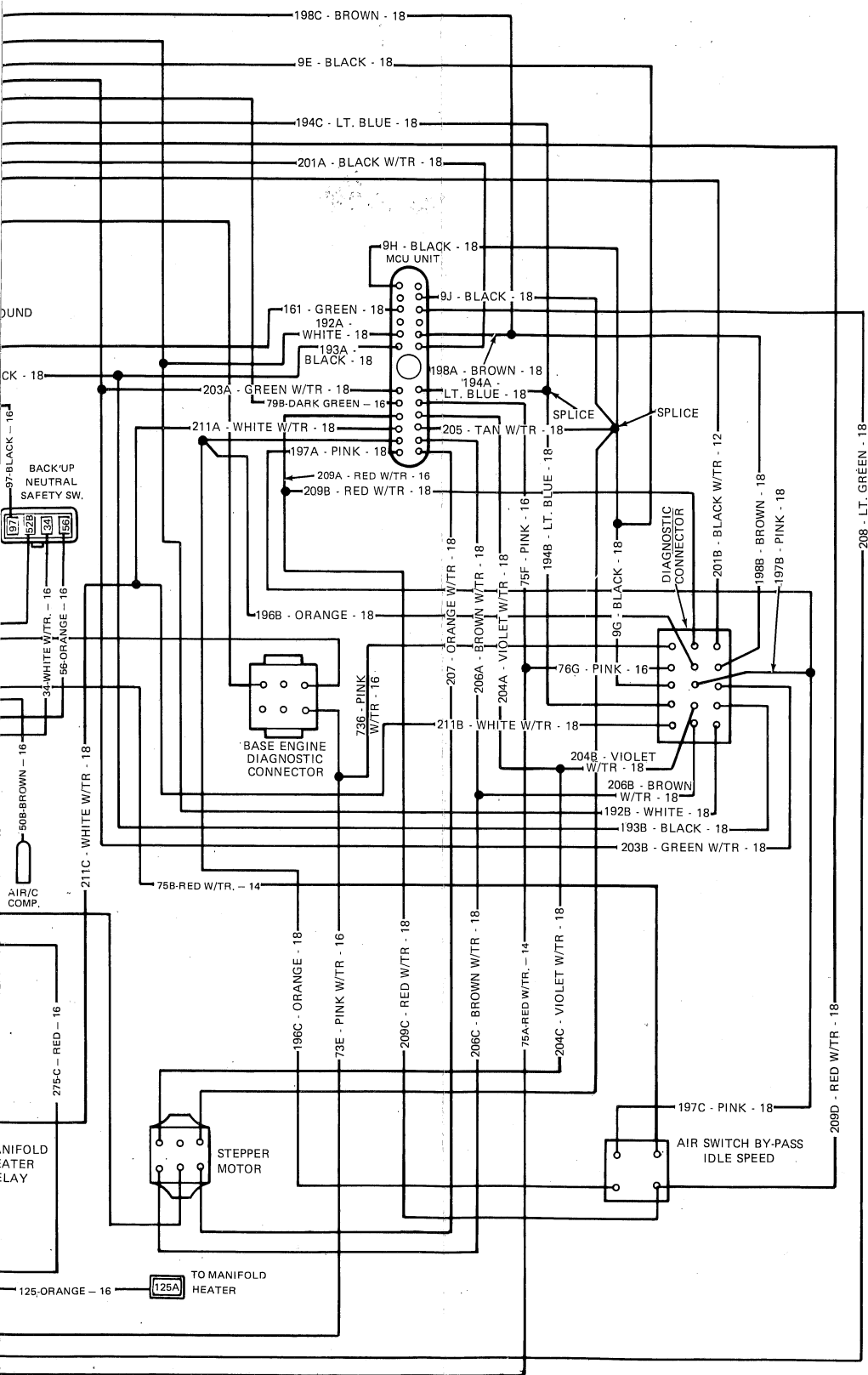


WIRING DIAGRAM
FEEDBACK SYSTEM
6-CYLINDER ENGINE
CJ MODEL





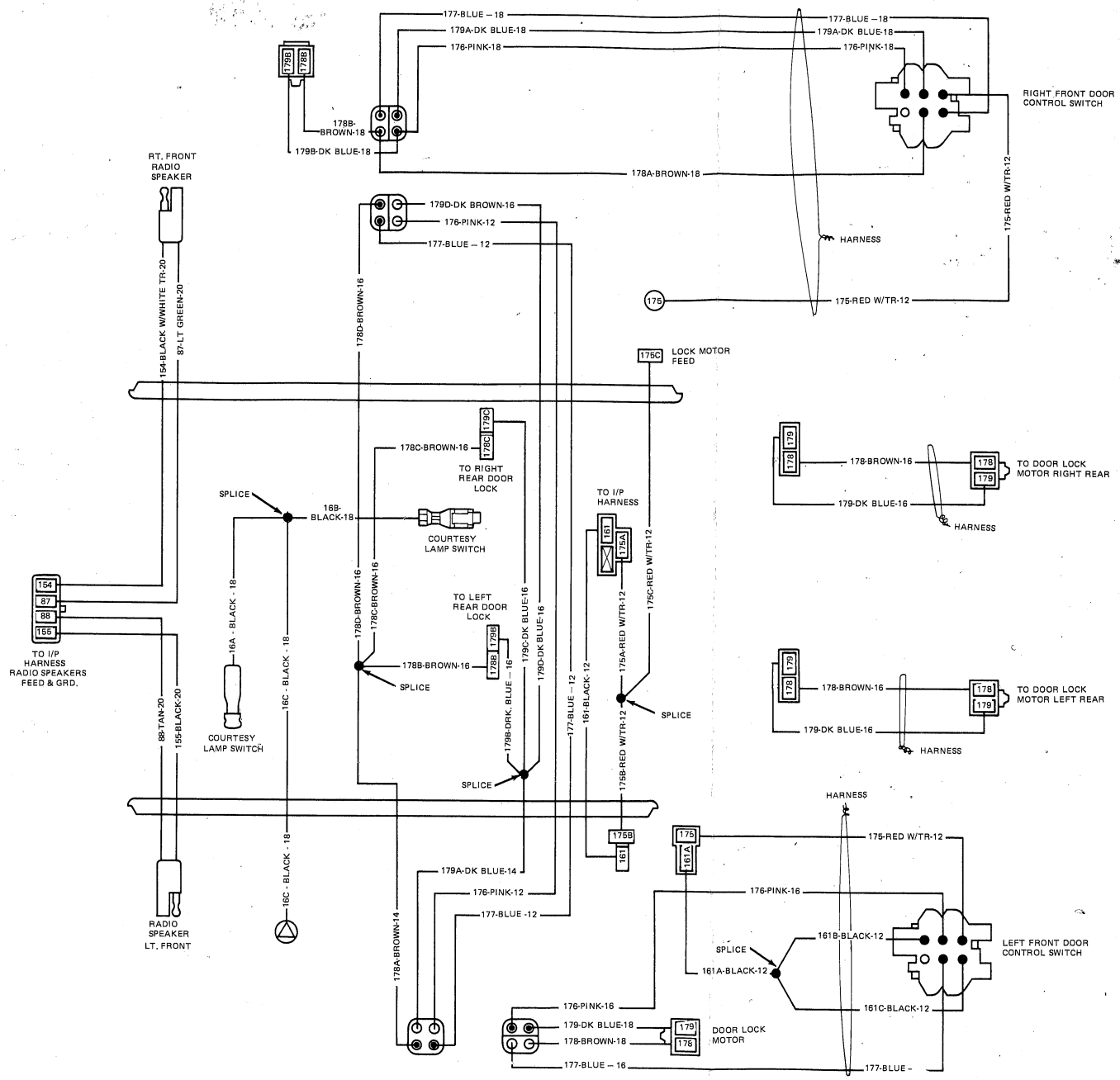
**WIRING DIAGRAM
 FEEDBACK SYSTEM
 6-CYLINDER ENGINE
 CHEROKEE - WAGON**



**WIRING DIAGRAM
 FEEDBACK SYSTEM
 6-CYLINDER ENGINE
 CHEROKEE - WAGONEER - TRUCK**

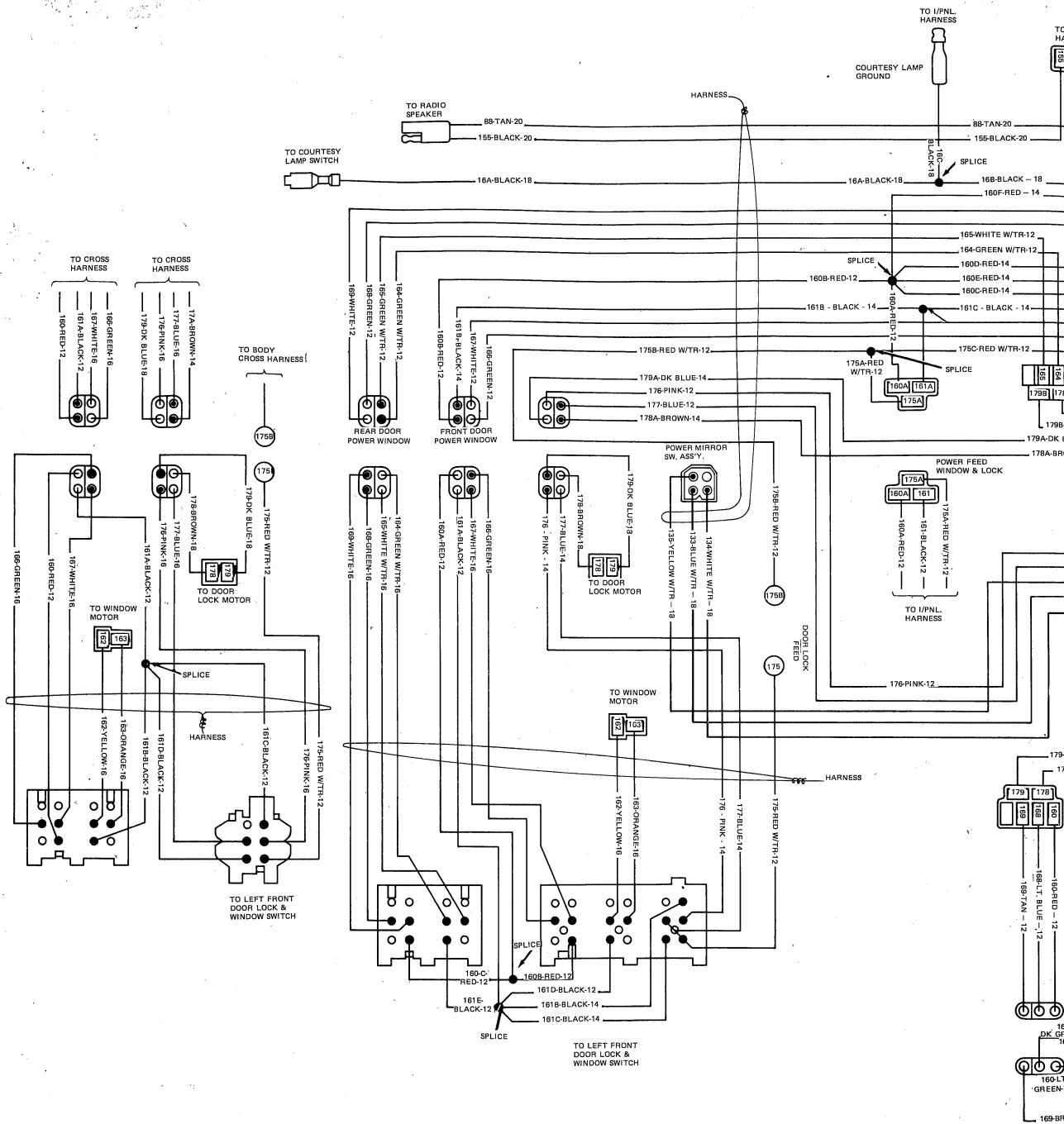
ACCESSORY DIAGRAMS
CJ - CHEROKEE - WAGONEER -
TRUCK MODELS

1/P
87
88
89
90
91
92
93
94
95
96
97
98
99
100
101
102
103
104
105
106
107
108
109
110
111
112
113
114
115
116
117
118
119
120
121
122
123
124
125
126
127
128
129
130
131
132
133
134
135
136
137
138
139
140
141
142
143
144
145
146
147
148
149
150
151
152
153
154
155
156
157
158
159
160
161
162
163
164
165
166
167
168
169
170
171
172
173
174
175
176
177
178
179
180
181
182
183
184
185
186
187
188
189
190
191
192
193
194
195
196
197
198
199
200

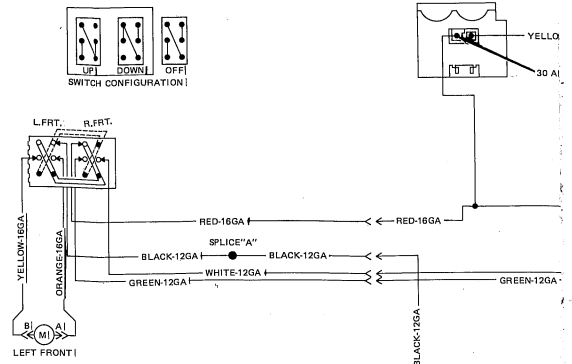
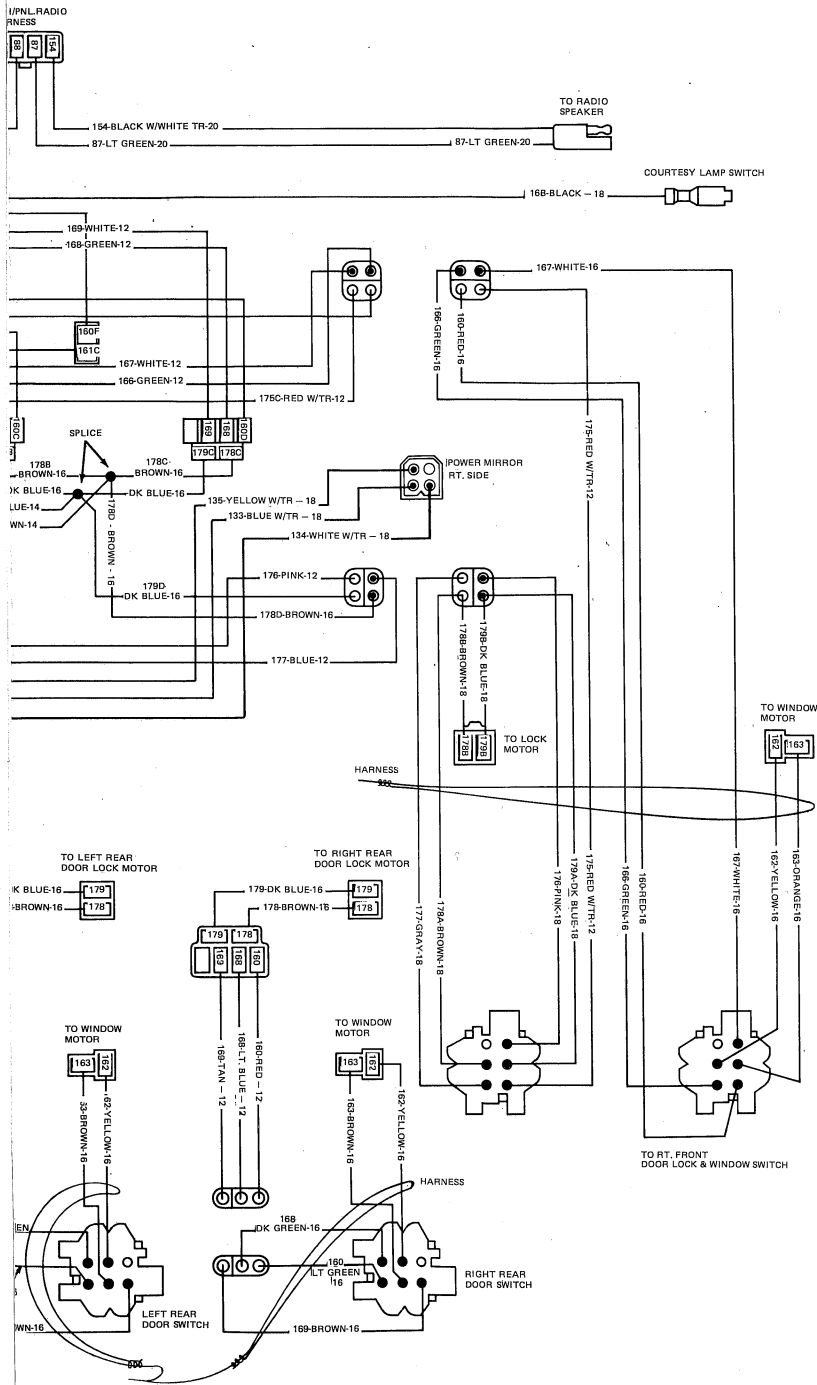


POWER DOOR LOCK DIAGRAM

POWER DOOR LOCK DIAGRAM WITH STEREO

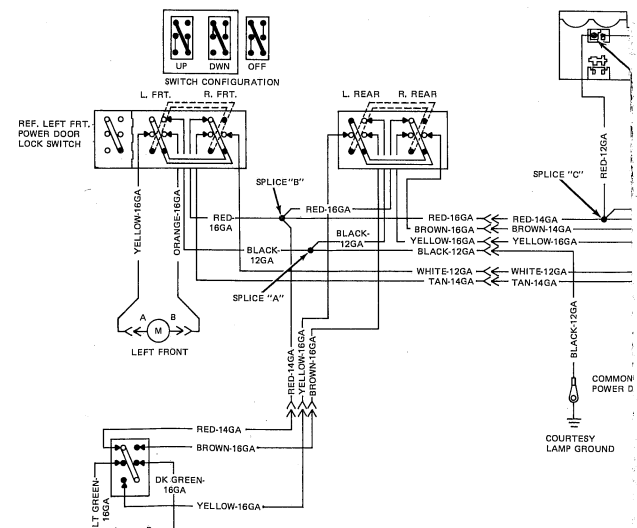


POWER WINDOW & DOOR LOCK DIAGRAM



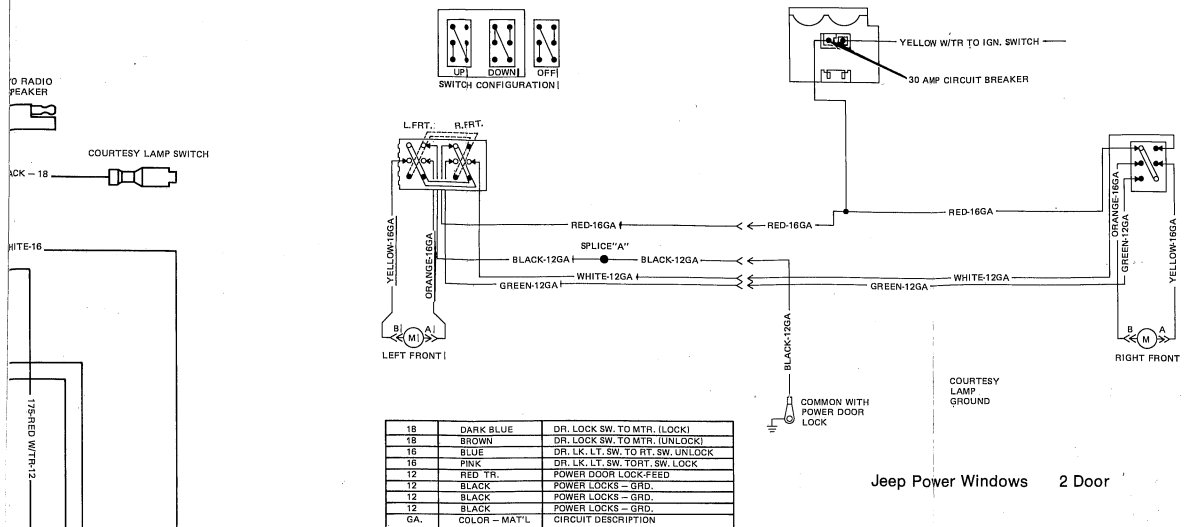
18	DARK BLUE	DR. LOCK SW. TO MTR. (LOCK)
18	BROWN	DR. LOCK SW. TO MTR. (UNLOCK)
16	BLUE	DR. LK. LT. SW. TO RT. SW. UNLOCK
16	PINK	DR. LK. LT. SW. TORT. SW. LOCK
12	RED TR.	POWER DOOR LOCK FEED
12	BLACK	POWER LOCKS - GRD.
12	BLACK	POWER LOCKS - GRD.
12	BLACK	POWER LOCKS - GRD.
GA.	COLOR - MAT'L	CIRCUIT DESCRIPTION

Jeep Poi



Jeep Power Windows 4 Door

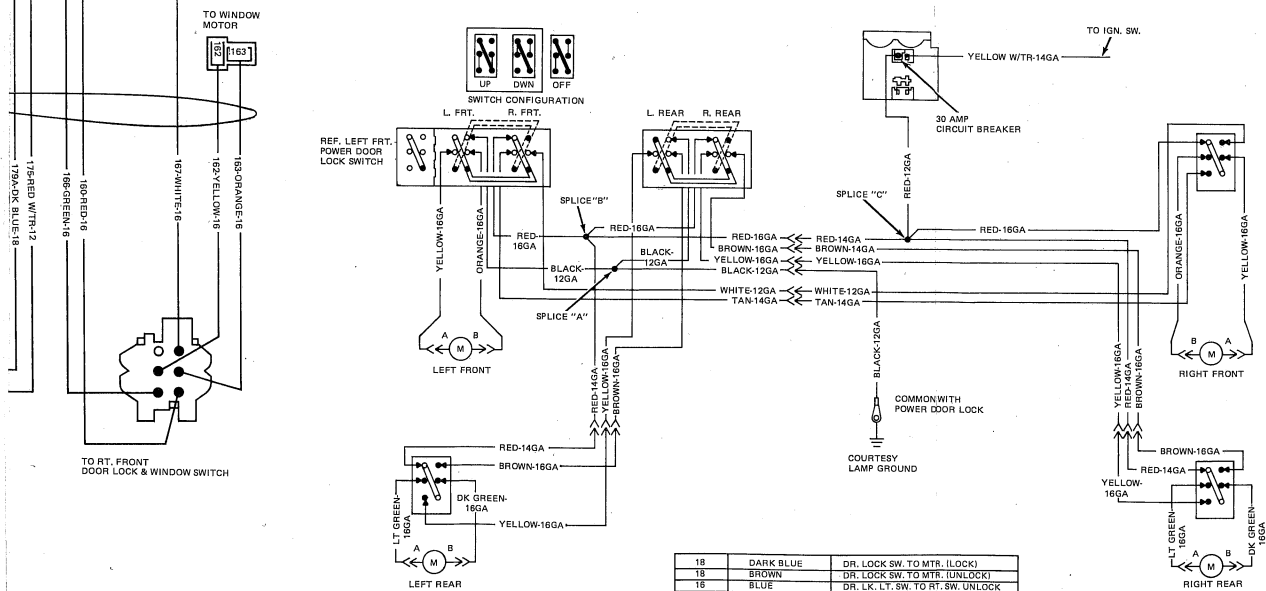
18	DARK BLUE	DR. LOCK SW. TO MTR.
18	BROWN	DR. LOCK SW. TO MTR.
16	BLUE	DR. LK. LT. SW. TORT.
16	PINK	DR. LK. LT. SW. TORT.
12	RED TR.	POWER DOOR LOCK
12	BLACK	POWER LOCKS - GRD.
12	BLACK	POWER LOCKS - GRD.
12	BLACK	POWER LOCKS - GRD.
GA.	COLOR - MAT'L	CIRCUIT DESCRIPTION



18	DARK BLUE	DR. LOCK SW. TO MTR. (LOCK)
18	BROWN	DR. LOCK SW. TO MTR. (UNLOCK)
16	BLUE	DR. LK. LT. SW. TO RT. SW. UNLOCK
16	PINK	DR. LK. LT. SW. TORT. SW. LOCK
12	RED TR.	POWER DOOR LOCK-FEED
12	BLACK	POWER LOCKS - GRD.
12	BLACK	POWER LOCKS - GRD.
GA.	COLOR - MAT'L	CIRCUIT DESCRIPTION

Jeep Power Windows 2 Door

90971B

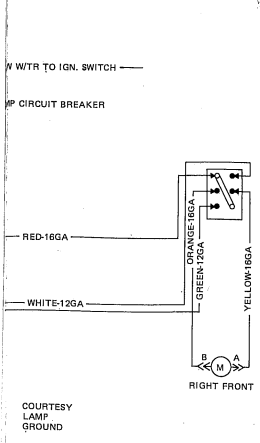


18	DARK BLUE	DR. LOCK SW. TO MTR. (LOCK)
18	BROWN	DR. LOCK SW. TO MTR. (UNLOCK)
16	BLUE	DR. LK. LT. SW. TO RT. SW. UNLOCK
16	PINK	DR. LK. LT. SW. TORT. SW. LOCK
12	RED TR.	POWER DOOR LOCK-FEED
12	BLACK	POWER LOCKS - GRD.
12	BLACK	POWER LOCKS - GRD.
GA.	COLOR - MAT'L	CIRCUIT DESCRIPTION

Jeep Power Windows 4 Door

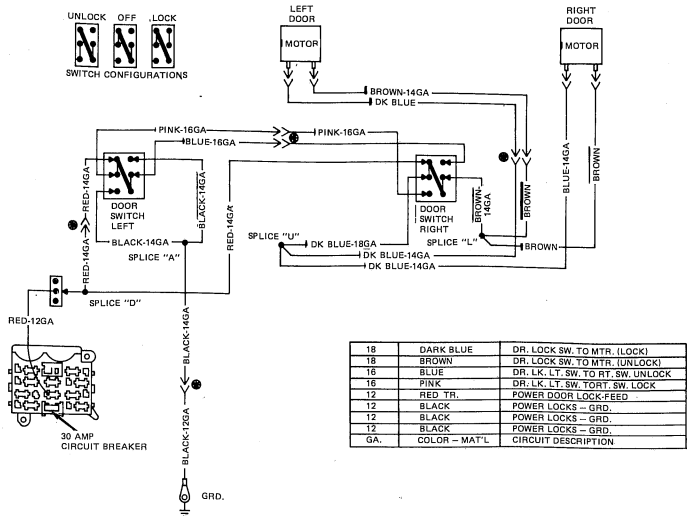
90971A





Courtesy Lamp Ground

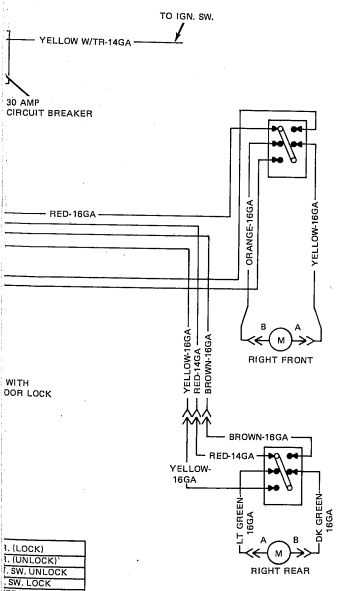
90971B



18	DARK BLUE	DR. LOCK SW. TO MTR. (LOCK)
18	BROWN	DR. LOCK SW. TO MTR. (UNLOCK)
18	BLUE	DR. LK. LT. SW. TO RT. SW. UNLOCK
16	PINK	DR. LK. LT. SW. TORT. SW. LOCK
12	RED TR.	POWER DOOR LOCK-FEED
12	BLACK	POWER LOCKS - GRD.
12	BLACK	POWER LOCKS - GRD.
12	BLACK	POWER LOCKS - GRD.
GA.	COLOR - MAT'L	CIRCUIT DESCRIPTION

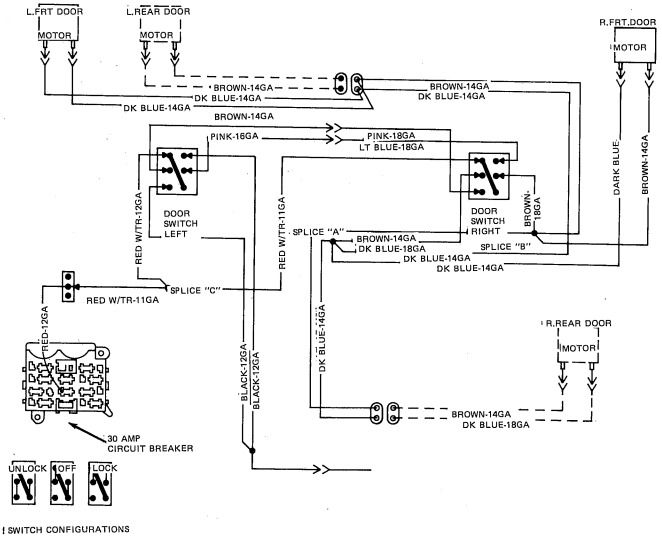
Jeep Power Door Locks 2 Door

90970C



L	(LOCK)
L	(UNLOCK)
L	SW. UNLOCK
L	SW. LOCK
L	FEED
L	
L	
L	
L	
L	
L	

90971A



18	DARK BLUE	DR. LOCK SW. TO MTR. (LOCK)
18	BROWN	DR. LOCK SW. TO MTR. (UNLOCK)
18	BLUE	DR. LK. LT. SW. TO RT. SW. UNLOCK
16	PINK	DR. LK. LT. SW. TORT. SW. LOCK
12	RED TR.	POWER DOOR LOCK-FEED
12	BLACK	POWER LOCKS - GRD.
12	BLACK	POWER LOCKS - GRD.
12	BLACK	POWER LOCKS - GRD.
GA.	COLOR - MAT'L	CIRCUIT DESCRIPTION

Jeep Power Door Locks 4 Door

90970B

ACCESSORY DIAGRAMS POWER WINDOWS AND DOOR LOCKS